

ABS-AC INSTALLATION INSTRUCTIONS FOR 20 MINUTE "POSITIVE PRESSURE" (UBC 7.2 COMPLIANT) CONCEALED INTUMESCENT ALUMINUM FRAME

- 1.) ALUMINUM FRAME IS SECURELY FASTENED TO WALL THROUGH THE SIDES INTO DRYWALL AND STUD USING DRYWALL SCREWS LONG ENOUGH TO PENETRATE 1/2" INTO STUD. TWO SCREWS ARE REQUIRED AT EACH HEAD CORNER WITH 8" ON CENTER MAXIMUM PLACEMENT. JAMBS INCLUDE TWO SCREWS AT THE TOP OF EACH JAMB SPACED 1" APART WITH A SCREW SET ABOVE AND BELOW EACH HINGE MAXIMUM 12" ON CENTER PLACEMENT.
- 2.) ABS-AC 20 MINUTE " POSITIVE PRESSURE " COMPLIANT FRAME MUST INCLUDE ONE OF THE FOLLOWING:
 - A. ABS-AC CONCEALED INTUMESCENT IN JAMBS (FIGURE # 1)
 - B. SURFACE MOUNTED INTUMESCENT TAPE (FIGURE # 2)
 - C. INTUMESCENT MACHINED INTO DOOR STILES AND TOP RAIL (FIGURE # 3)

NOTES:

WHEN USING ABS-AC CONCEALED FRAME INTUMESCENT, AN ADDITIONAL ADHESIVE INTUMESCENT STRIP MUST BE APPLIED TO TOP OF SINGLE DOOR WIDER THAN 3'-6" AND ALL PAIRS. NO ADDITIONAL INTUMESCENT IS REQUIRED FOR SINGLE DOORS UP TO 3'-6" WIDE. AN INTUMESCENT STRIP (EITHER SURFACE APPLIED OR MACHINED INTO ONE DOOR STILE) MUST ACCOMPANY ALL PAIRS. REFER TO MANUFACTURER'S DOOR LISTING FOR THE REQUIREMENTS ON MEETING EDGES OF PAIR OF DOORS.
ALL SURFACE MOUNTED INTUMESCENT TAPE AND INTUMESCENT MACHINED INTO THE DOOR ARE SUPPLIED BY OTHER.

- 3.) MAXIMUM FRAME SIZE IS 8'-0" X 9'-0" UTILIZING A MINIMUM 3-3/4" WALL THICKNESS FRAME.
- 4.) DOORS MUST BE APPROVED AND LISTED FIRE DOORS AS CERTIFIED BY THE MANUFACTURER AND COMPLY WITH MINIMUM 20 MINUTE CONSTRUCTION USING ONE OF THE METHODS OUTLINED HEREIN AND BEAR A 20 MINUTE "POSITIVE PRESSURE" LABEL. VARYING DOOR CUTOUTS AND APPLICATIONS ARE DEPENDENT UPON DOOR MANUFACTURER'S FIRE LABELING CERTIFICATION.
- 5.) HARDWARE MUST BE APPROVED AND LISTED FIRE DOORS AS CERTIFIED BY THE MANUFACTURER FOR EACH APPLICATION. VARYING HARDWARE APPLICATIONS ARE DEPENDENT UPON HARDWARE MANUFACTURER'S FIRE LABELING CERTIFICATION.

INTUMESCENT APPLICATIONS :

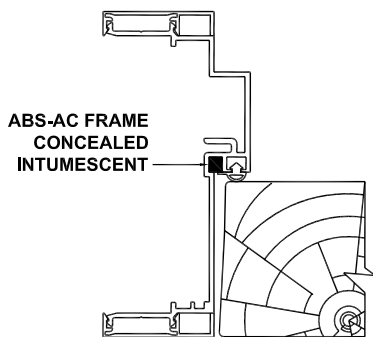


FIGURE 1

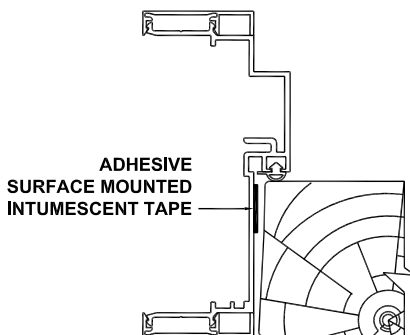


FIGURE 2

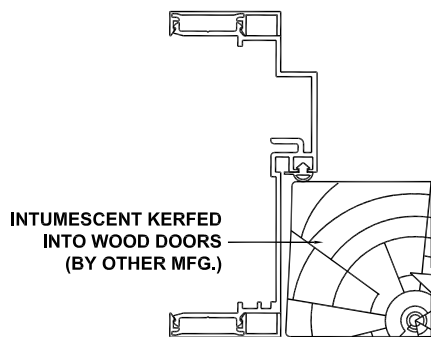


FIGURE 3

INDUSTRY AFFILIATIONS :



FIRE RATED FRAME DETAILS



ABS - Architectural Components
8401 Rovana Cir. Sacramento CA. 95828
Toll Free Number: (866) 566-2161
Phone Main: (916) 388-2161
Fax: (916) 388-9336

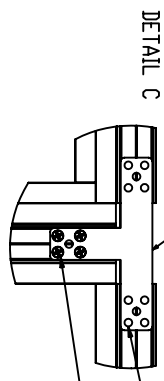
ABS - Architectural Components

20 MIN. FRAME INSTALLATION DETAILS



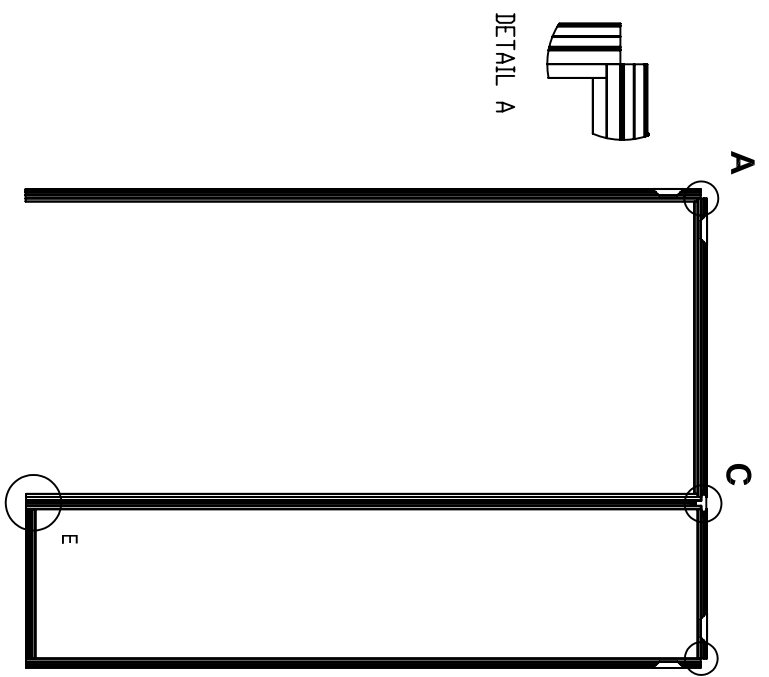
INSTALL SHEET 2

'T' Clips
(C30002 FOR 1.5" TRIM, (C30003 FOR 1" TRIM))
12 Screws EA.

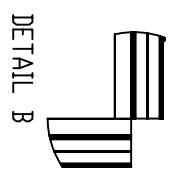


Do not insert screws into header.
Only insert screws into mullion on 'T' clip
This will allow mullion to expand upward
when heated.

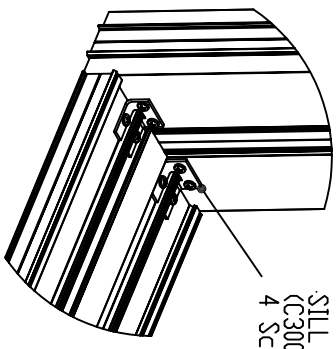
Screws:
6 x 3/8 Self drilling screw is
use to hold all clips in place.



DETAIL A

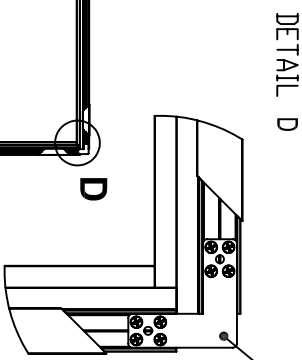


DETAIL B



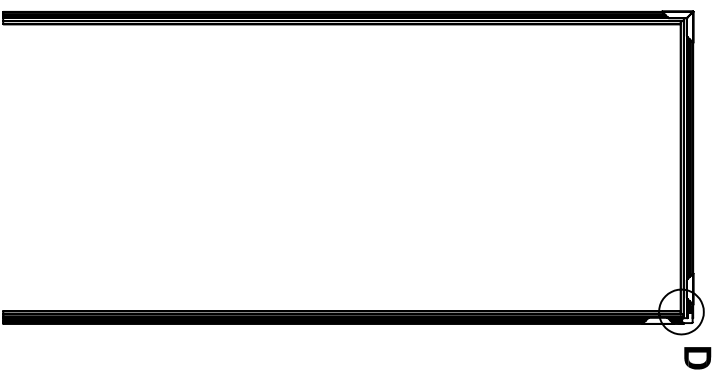
DETAIL E

Sill Clip
(C30005)
4 Screws EA.



DETAIL D

Corner Clip
(C30001)
8 Screws EA.



D

This assembly is for 20 min. Fire rated Door Frames.
Detail A & B: Notched header will be installed between legs.

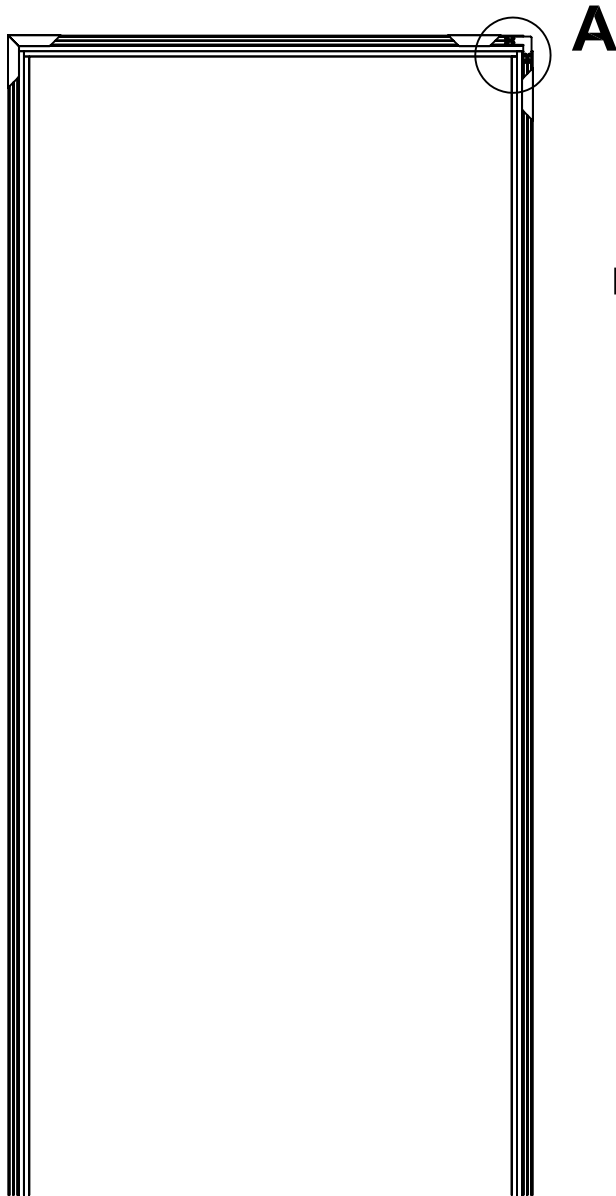
Do not install corner clips. Use corner clip for alignment of legs to header only. Remove corner clips after alignment is done.

Leaving corner clips off will allow legs to expand upwards leaving header to stay in position.

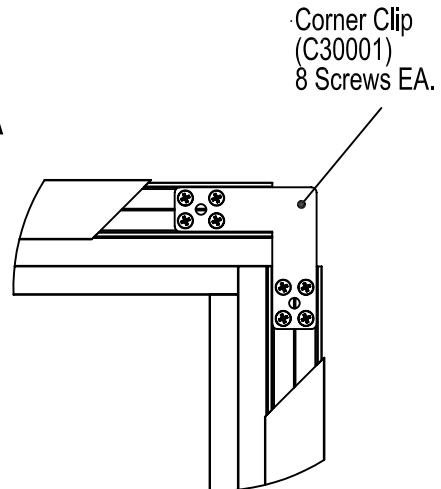
1. Install frames plumb and square securing door frame to the wall through the sides into drywall/stud or other wall construction as specified.
2. Utilize corner alignment clips to assure correct frame connections.
3. Install snap on casing to conceal all fasteners. No exposed fasteners are visible upon completion of installation.

ABS - Architectural Components

90 MIN. FRAME INSTALLATION DETAILS



DETAIL A

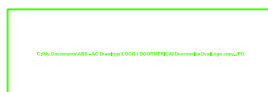


Screws:

6 x 3/8 Self drilling screw is use to hold all clips in place.

1. Install frames plumb and square securing door frame to the wall through the sides into drywall/stud or other wall construction as specified.
2. Utilize corner alignment clips to assure correct frame connections. Remove when frame is secure in wall.
3. Install snap on casing to conceal all fasteners. No exposed fasteners are visible upon completion of installation.

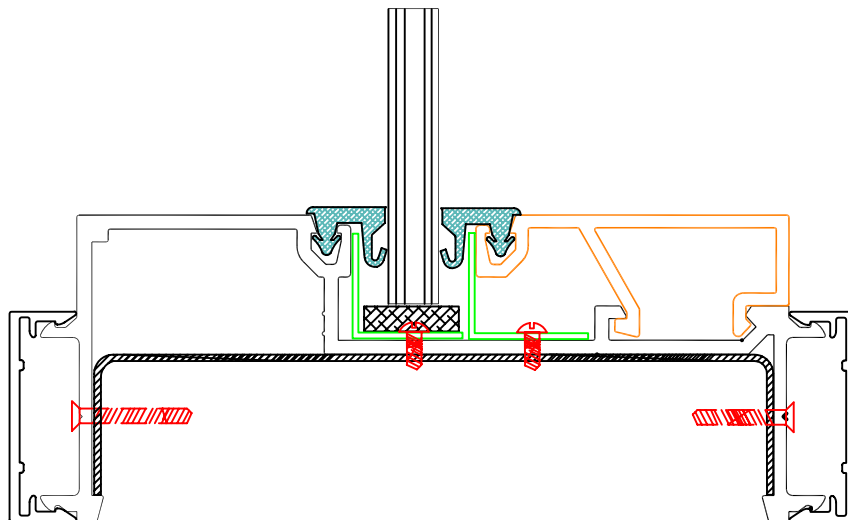
This assembly is for 90 min. Fire rated Door Frames. Do not install corner clips. Use corner clip for alignment of legs to header only. Remove corner clips after alignment is done. Leaving corner clips off will allow legs to expand upwards leaving header to stay in position. When installed as pairs in drywall construction, shall have anchors installed in the head section, minimum of 24" o.c.



**ABS-AC INSTALLATION INSTRUCTIONS FOR 45 MINUTE "BORROWED LIGHT"
(UBC 7.2 COMPLIANT) ALUMINUM FRAME**

- 1.) ALUMINUM FRAME IS SECURELY FASTENED TO WALL THROUGH THE SIDES INTO DRYWALL AND STUD USING DRYWALL SCREWS LONG ENOUGH TO PENETRATE 1/2" INTO STUD. TWO SCREWS ARE REQUIRED AT EACH HEAD CORNER WITH 8" ON CENTER MAXIMUM PLACEMENT. JAMBS INCLUDE TWO SCREWS AT THE TOP OF EACH JAMB SPACED 1" APART WITH A SCREW SET ABOVE AND BELOW EACH HINGE MAXIMUM 12" ON CENTER PLACEMENT. WHEN INSTALLED AS PAIRS IN DRYWALL CONSTRUCTION, SHALL HAVE ANCHORS INSTALLED IN THE HEAD SECTION, MINIMUM 24" O.C.
- 2.) ABS-AC 45 MINUTE " BORROWED LIGHT" FRAME QUALIFIES FOR USE WITH EQUALLY LISTED GLAZING.
- 3.) MAXIMUM FRAME SIZE IS 3'-0" X 8'-0" UTILIZING A MINIMUM 3-3/4" WALL THICKNESS FRAME.

SECTION DRAWING :



INDUSTRY AFFILIATIONS :



FIRE RATED FRAME DETAILS

ABS - Architectural Components

8401 Rovana Cir. Sacramento CA. 95828

Toll Free Number: (866) 566-2161

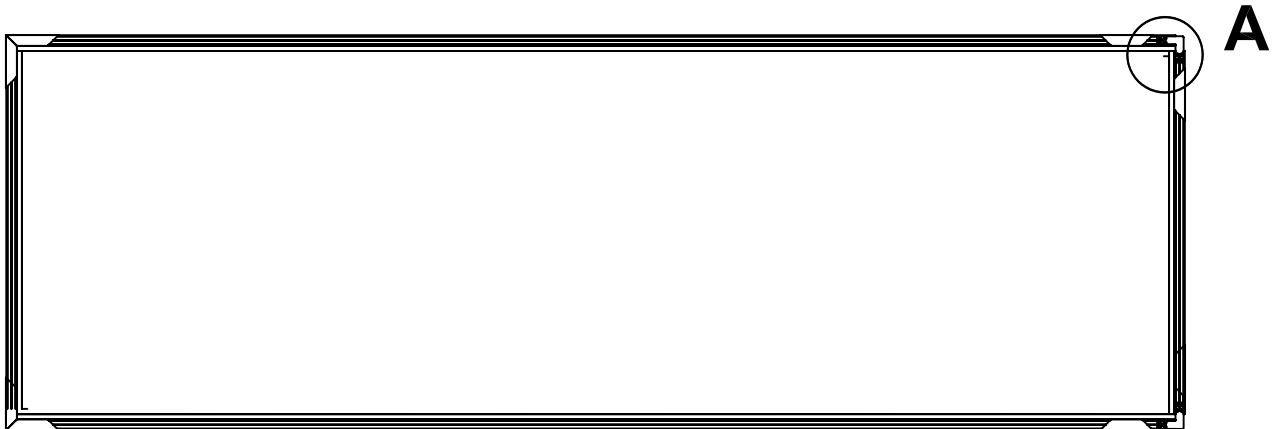
Phone Main: (916) 388-2161

Fax: (916) 388-9336

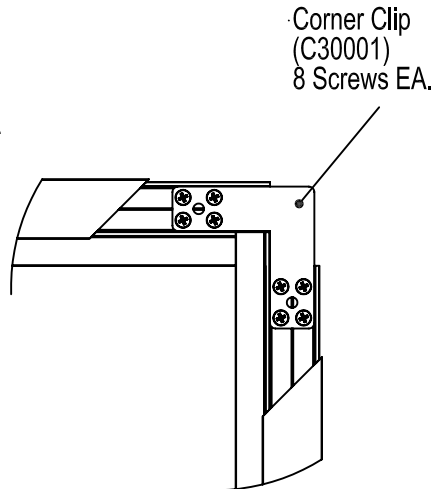
Page 5

ABS - Architectural Components

45 MIN. FRAME INSTALLATION DETAILS



DETAIL A



Screws:

6 x 3/8 Self drilling screw is
use to hold all clips in place.
Remove when frame is secure.

1. Install frames plumb and square securing frame to the wall through the sides into drywall/stud or other wall construction as specified.
2. Utilize corner alignment clips to assure correct frame connections. Remove when frame is secure in wall.
3. Install snap on casing to conceal all fasteners. No exposed fasteners are visible upon completion of installation.

This assembly is for 45 min. Fire rated Frames. Do not install corner clips. Use corner clip for alignment of legs to header only. Remove corner clips after alignment is done. Leaving corner clips off will allow legs to expand upwards leaving header to stay in position. When installed as pairs in drywall construction, shall have anchors installed in the head section, minimum of 24" o.c.



ABS - Architectural Components

8401 Rovana Cir. Sacramento CA. 95828

Toll Free Number: (866) 566-2161

Phone Main: (916) 388-2161

Fax: (916) 388-9336