

ARCHITECT:

PROJECT:

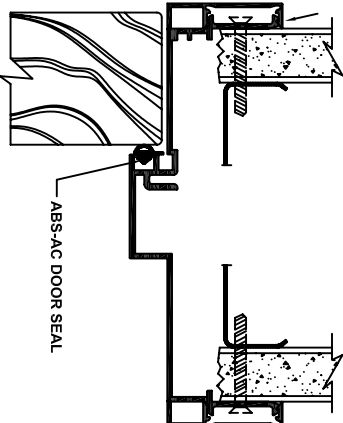
**DOORMERICA**  
ABS - Architectural Components  
8401 Rovana Cir., Sacramento CA, 95828  
Toll Free Number: (866) 566-2161  
Phone Main: (916) 388-2161  
Fax: (916) 388-9336

DISTRIBUTOR:

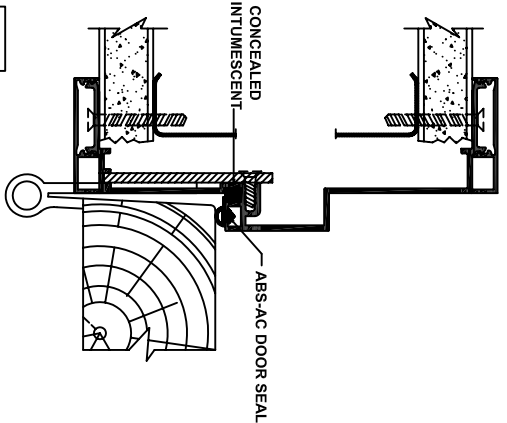
DATE:

SHEET:

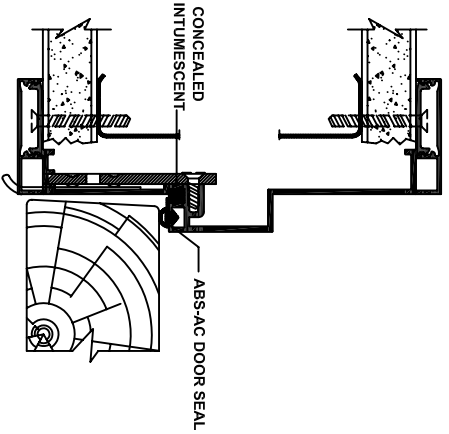
5-1/4" WALL - 1.5" TRIM



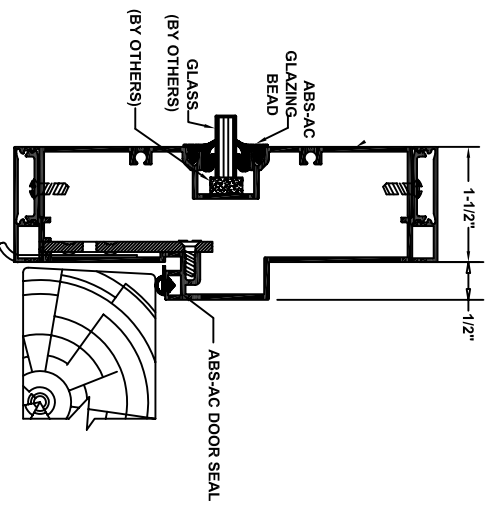
**A**  
DOOR FRAME HEADER



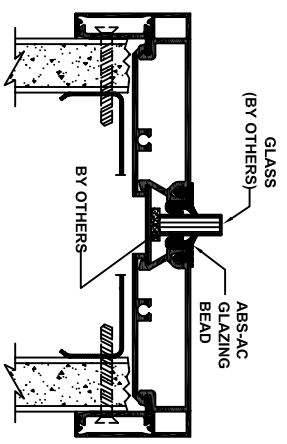
**B**  
DOOR FRAME HINGE JAMB



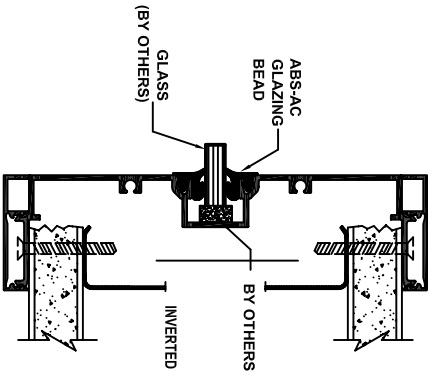
**C**  
DOOR FRAME STRIKE JAMB  
NOTE: EXTENDED LIP STRIKE NOT REQUIRED



**D**  
STRIKE JAMB & S.L. MULLION W/ 1-1/2" FACE  
NOTE: EXTENDED LIP STRIKE NOT REQUIRED



**E**  
SILL BASE ON DRYWALL PARTITION



**F**  
GLAZING RAIL

ARCHITECT:

PROJECT:

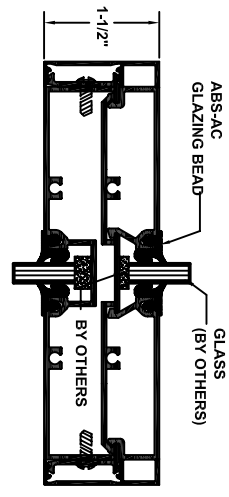
**DOORMERICA**  
ABS - Architectural Components  
8401 Rovana Cir. Sacramento CA, 95828  
Toll Free Number: (866) 566-2161  
Phone Main: (916) 388-2161  
Fax: (916) 388-9336

DISTRIBUTOR:

DATE:

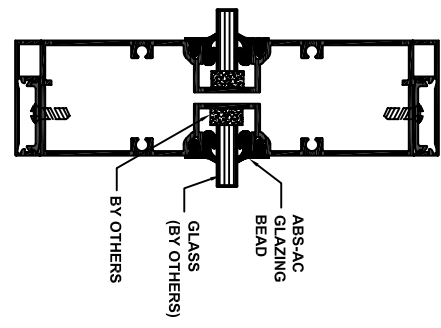
SHEET:

**5-1/4" WALL - 1.5" TRIM**



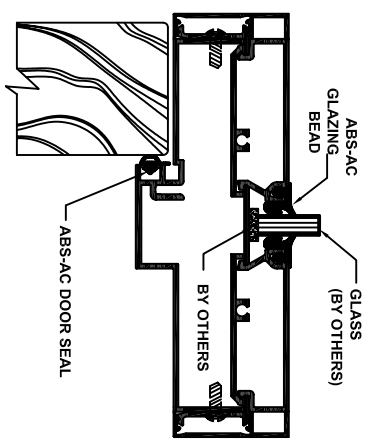
**G**

HORIZONTAL MULLION W/ 1-1/2" FACE



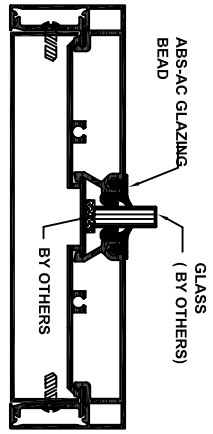
**H**

VERTICAL MULLION W/ 1-1/2" FACE



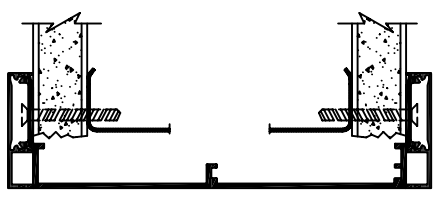
**I**

TRANSOM HEADER W/ 1-1/2" FACE



**J**

SILL BASE AND SILL STOP W/ RETAINER



**K**

CASED OPENING