

ARCHITECT:

PROJECT:

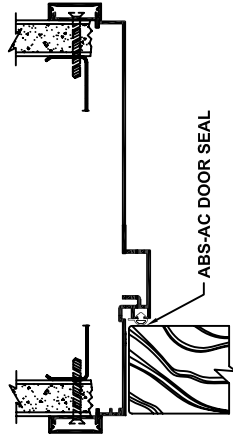
DISTRIBUTOR_

DATE:

SHEET:

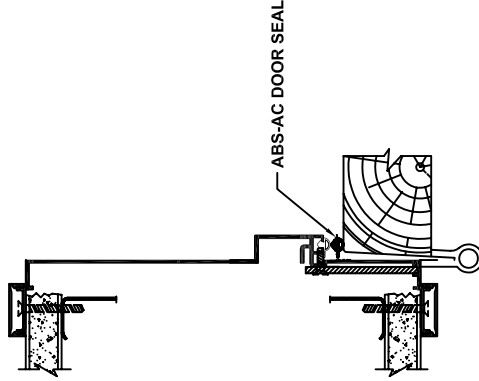
7-1/4" WALL - 1" TRIM

DOORMERICA
 ABS - Architectural Components
 8401 Roviana Cir. Sacramento CA, 95828
 Toll Free Number: (866) 566-2161
 Phone Main: (916) 388-2161
 Fax: (916) 388-9336



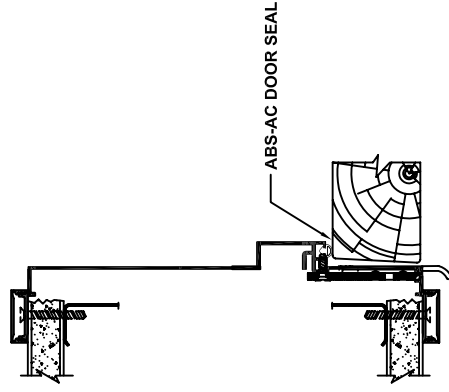
A

DOOR FRAME HEADER



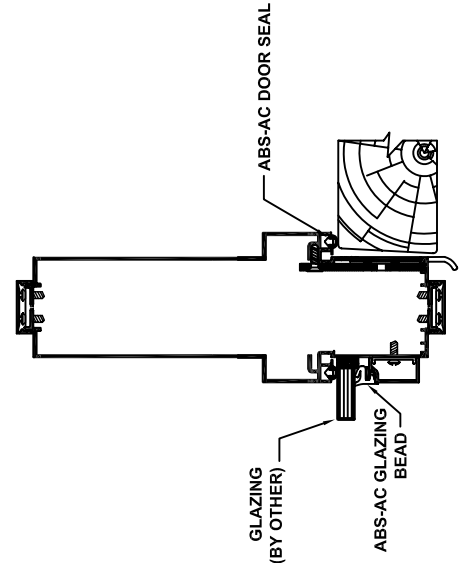
B

DOOR FRAME HINGE JAMB



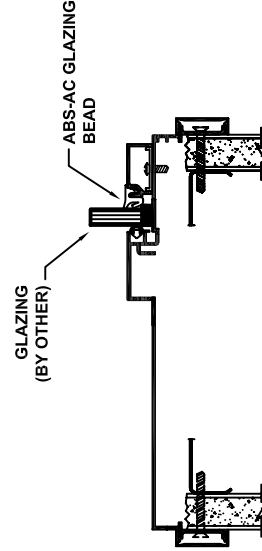
C

DOOR FRAME AT STRIKE JAMB



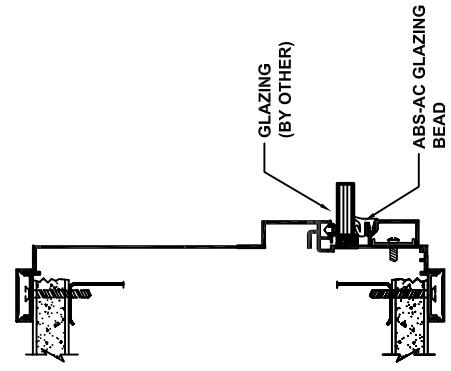
D

STRIKE JAMB & S.L. MULLION W/ 2" FACE



E

SILL BASE ON DRYWALL PARTITION



F

GLAZING RAIL

ARCHITECT:

PROJECT:

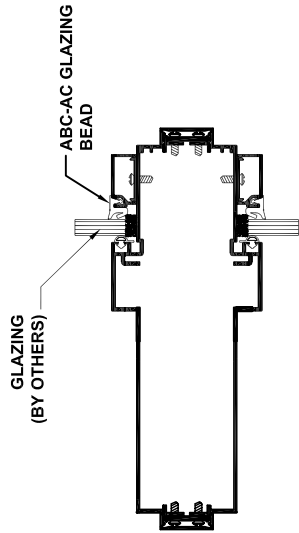
DISTRIBUTOR:

DATE:

SHEET:

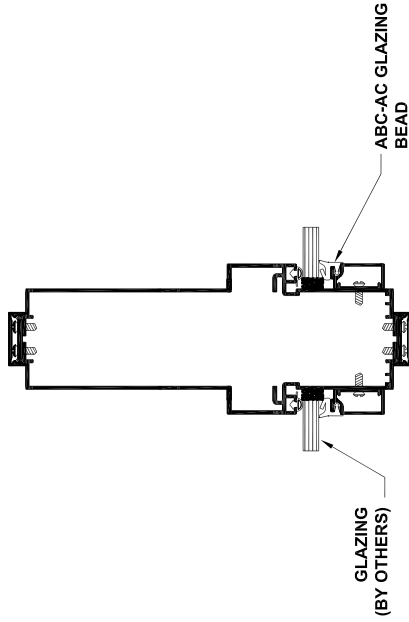
7-1/4" WALL - 1" TRIM

DOORMERICA
 ABS - Architectural Components
 8401 Rovana Cir. Sacramento CA. 95828
 Toll Free Number: (866) 566-2161
 Phone Main: (916) 388-2161
 Fax: (916) 388-9336



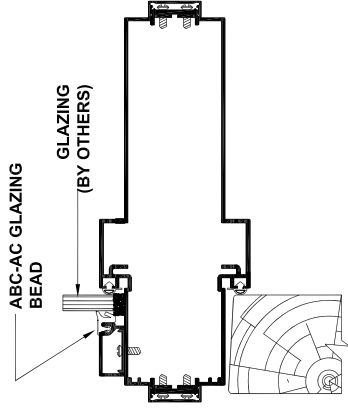
G

HORIZONTAL MULLION W/ 2" FACE
(2" TRIM)



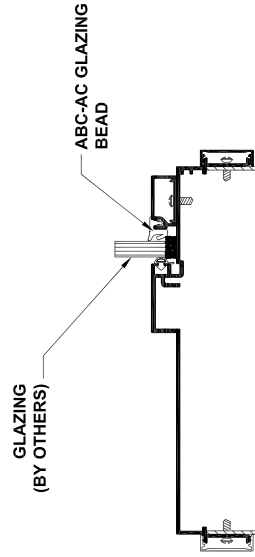
H

VERTICAL MULLION W/ 2" FACE
(2" TRIM)



I

TRANSOM HEADER W/ 2" FACE
(2" TRIM)



J

SILL BASE WITH RETAINER