

ARCHITECT:

PROJECT:



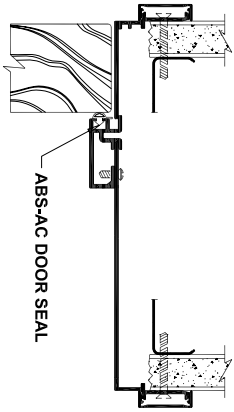
ABS - Architectural Components
8401 Rovana Cir. Sacramento CA. 95828
Toll Free Number: (866) 566-2161
Phone Main: (916) 388-2161
Fax: (916) 388-9336

DISTRIBUTOR:

DATE:

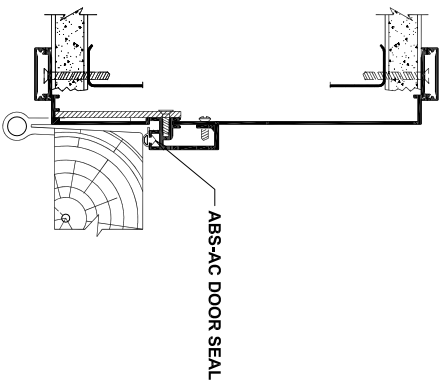
SHEET:

CST FRAME - 1" TRIM



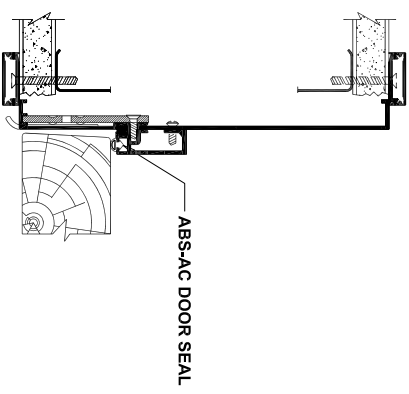
A

DOOR FRAME HEADER



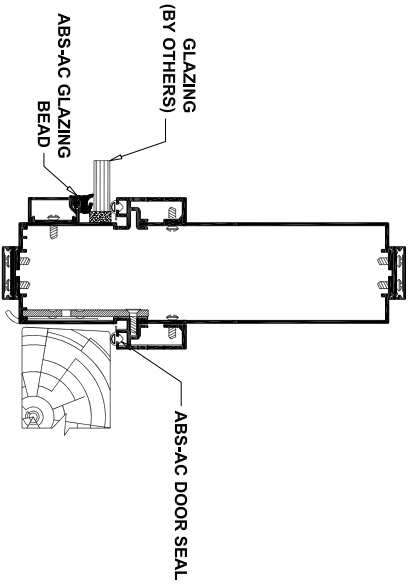
B

DOOR FRAME HINGE JAMB



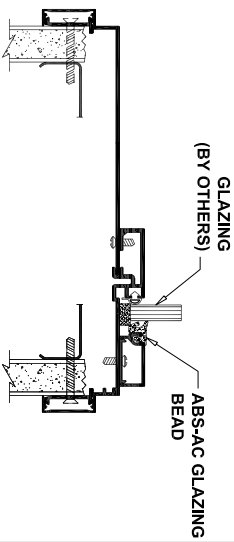
C

DOOR FRAME AT STRIKE JAMB



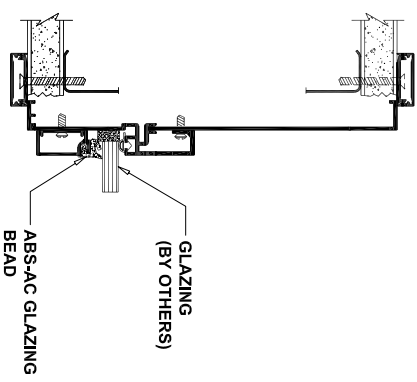
D

STRIKE JAMB & S.L. MULLION W/ 2" FACE



E

SILL BASE ON DRYWALL PARTITION



F

GLAZING RAIL

ARCHITECT:

PROJECT:



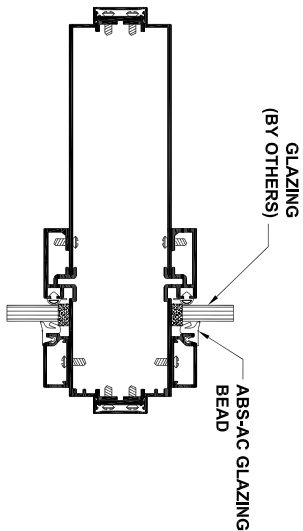
ABS - Architectural Components
8401 Rovana Cir. Sacramento CA. 95828
Toll Free Number: (866) 566-2161
Phone Main: (916) 388-2161
Fax: (916) 388-9336

DISTRIBUTOR:

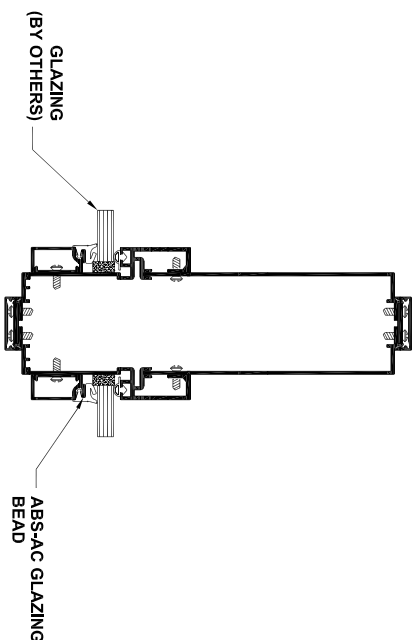
DATE:

SHEET:

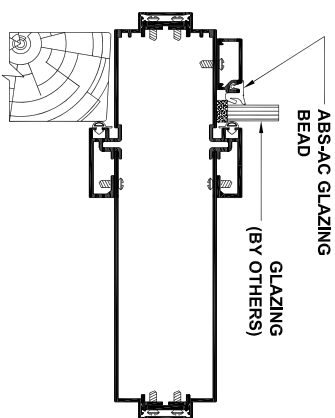
CST FRAME - 1" TRIM



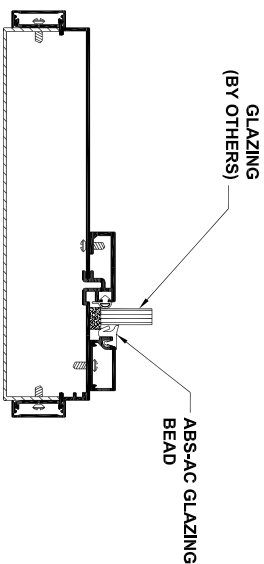
G HORIZONTAL MULLION W/ 2" FACE



H VERTICAL MULLION W/ 2" FACE



I TRANSOM HEADER W/ 2" FACE



J SILL BASE WITH RETAINER

ARCHITECT:

PROJECT:



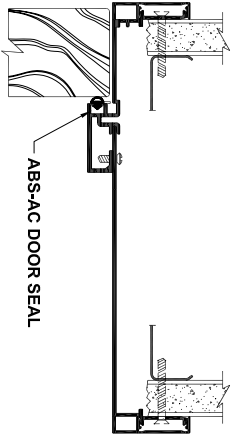
ABS - Architectural Components
8401 Rovana Cir. Sacramento CA, 95828
Toll Free Number: (866) 566-2161
Phone Main: (916) 388-2161
Fax: (916) 388-9336

DISTRIBUTOR:

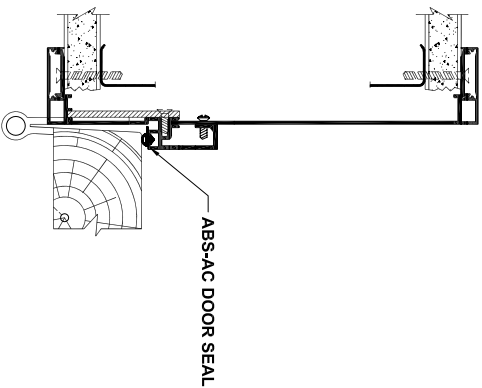
DATE:

SHEET:

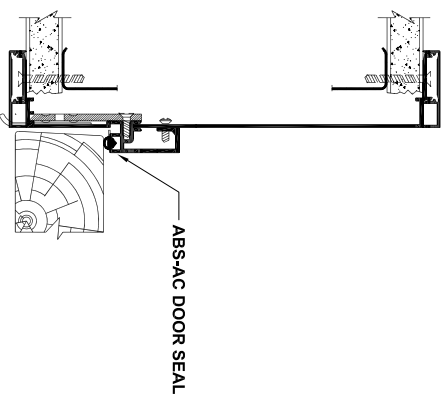
CST FRAME - 1-1/2" TRIM



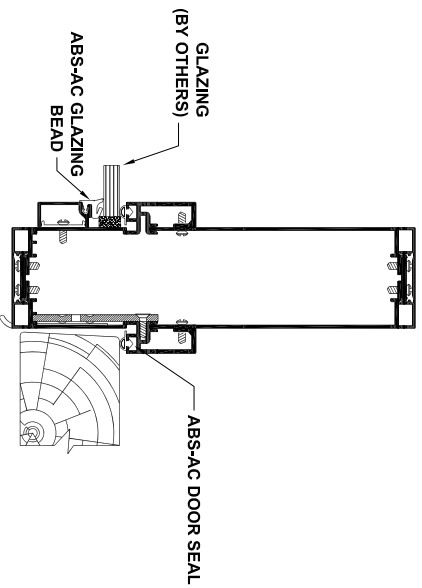
A
DOOR FRAME HEADER



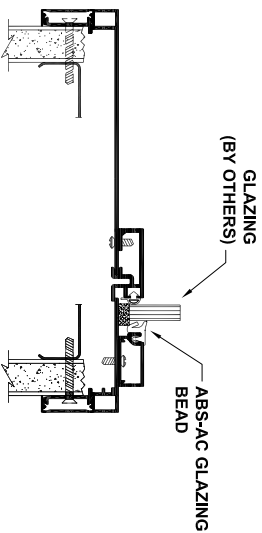
B
DOOR FRAME HINGE JAMB



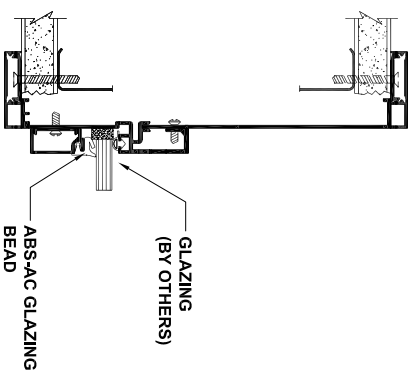
C
DOOR FRAME AT STRIKE JAMB
NOTE: EXTENDED LIP STRIKE NOT REQUIRED



D
STRIKE JAMB & S.L. MULLION W/ 2" FACE
(2" TRIM)
NOTE: EXTENDED LIP STRIKE NOT REQUIRED



E
SILL BASE ON DRYWALL PARTITION



F
GLAZING RAIL

ARCHITECT:

PROJECT:



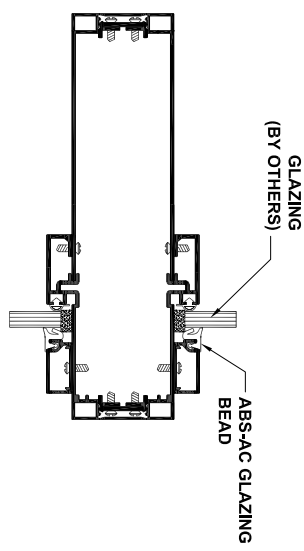
ABS - Architectural Components
8401 Rowana Cir. Sacramento CA, 95828
Toll Free Number: (866) 566-2161
Phone Main: (916) 388-2161
Fax: (916) 388-9336

DISTRIBUTOR:

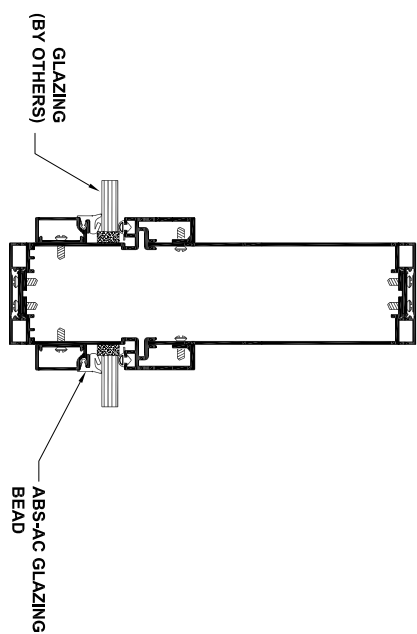
DATE:

SHEET:

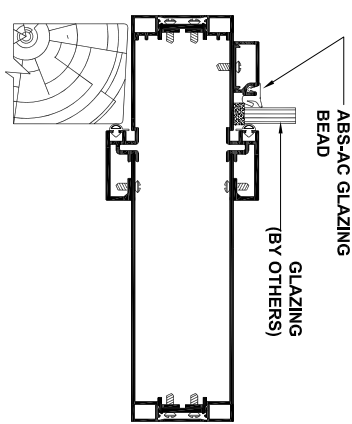
CST FRAME - 1-1/2" TRIM



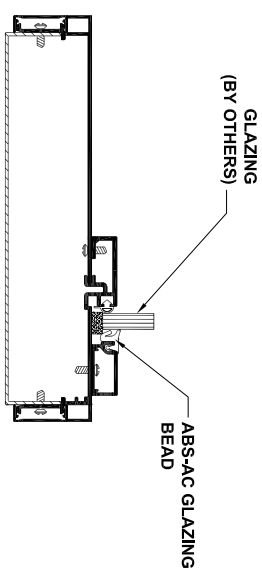
G HORIZONTAL MULLION W/ 2" FACE (2" TRIM)



H VERTICAL MULLION W/ 2" FACE (2" TRIM)



I TRANSOM HEADER W/ 2" FACE (2" TRIM)



J SILL BASE WITH RETAINER

ARCHITECT:

PROJECT:



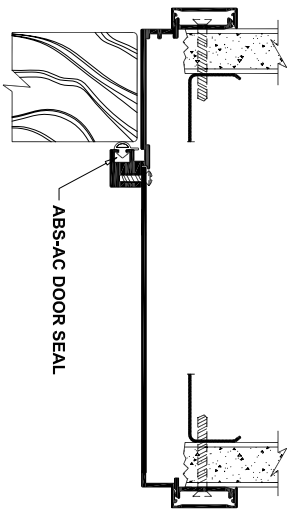
ABS - Architectural Components
8401 Rovana Cir. Sacramento CA. 95828
Toll Free Number: (866) 566-2161
Phone Main: (916) 388-2161
Fax: (916) 388-9336

DISTRIBUTOR:

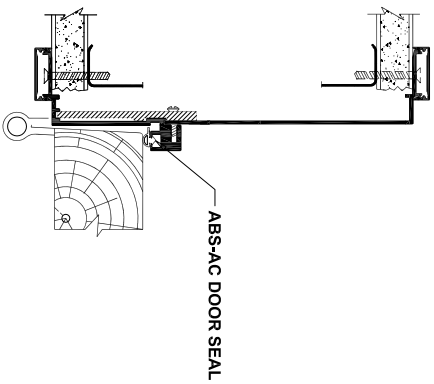
DATE:

SHEET:

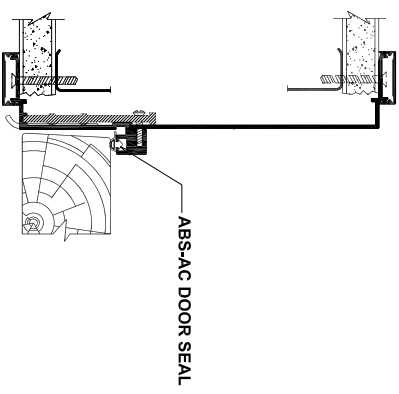
ADJ. "E" FRAME - 1" TRIM



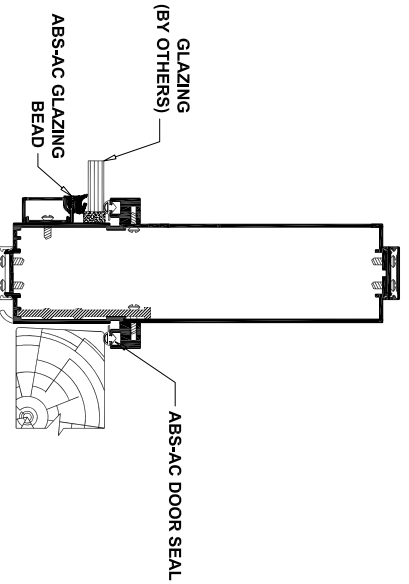
A DOOR FRAME HEADER



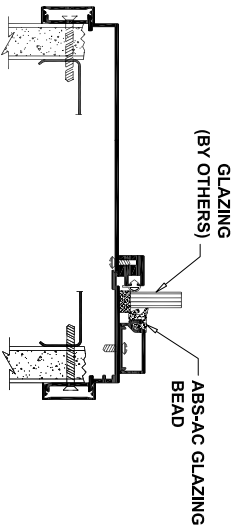
B DOOR FRAME HINGE JAMB



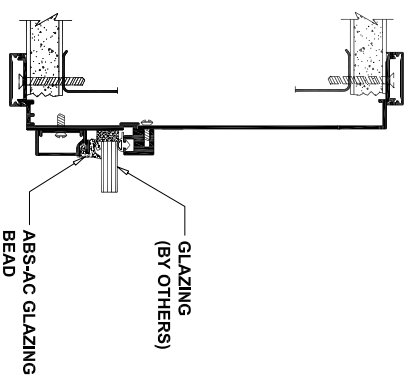
C DOOR FRAME AT STRIKE JAMB



D STRIKE JAMB & S.L. MULLION W/ 2" FACE



E SILL BASE ON DRYWALL PARTITION



F GLAZING RAIL

ARCHITECT:

PROJECT:



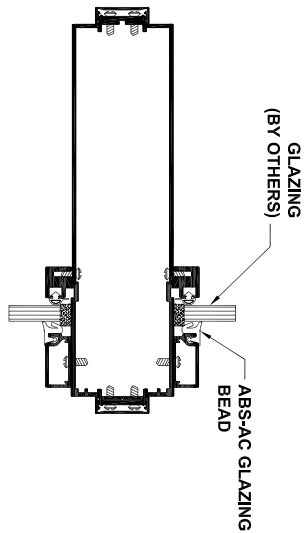
ABS - Architectural Components
8401 Rovana Cir. Sacramento CA, 95828
Toll Free Number: (866) 566-2161
Phone Main: (916) 388-2161
Fax: (916) 388-9336

DISTRIBUTOR:

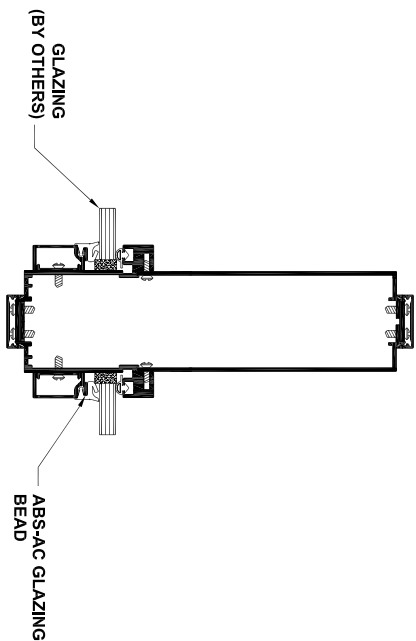
DATE:

SHEET:

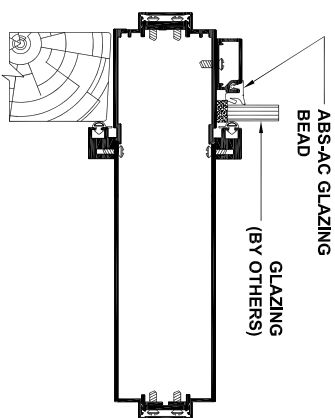
ADJ. "E" FRAME - 1" TRIM



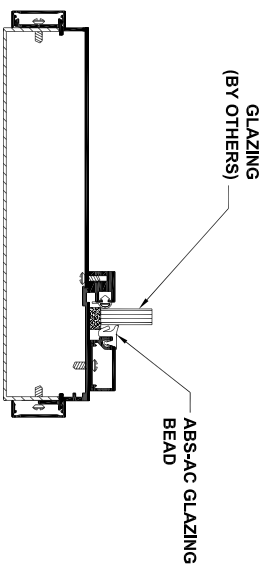
G HORIZONTAL MULLION W/ 2" FACE



H VERTICAL MULLION W/ 2" FACE



I TRANSOM HEADER W/ 2" FACE



J SILL BASE WITH RETAINER

ARCHITECT:

PROJECT:



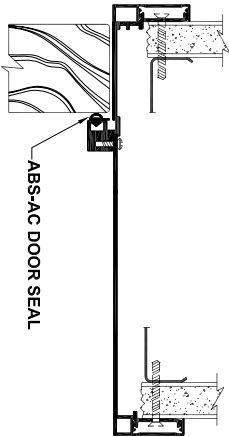
ABS - Architectural Components
8401 Rovana Cir. Sacramento CA, 95828
Toll Free Number: (866) 566-2161
Phone Main: (916) 388-2161
Fax: (916) 388-9336

DISTRIBUTOR:

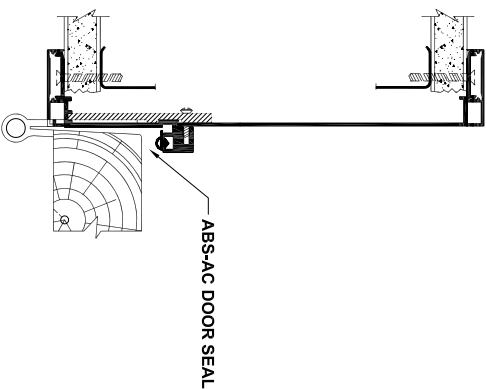
DATE:

SHEET:

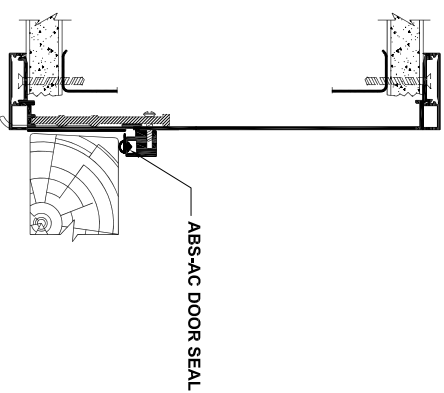
ADJ "E" FRAME 1-1/2" TRIM



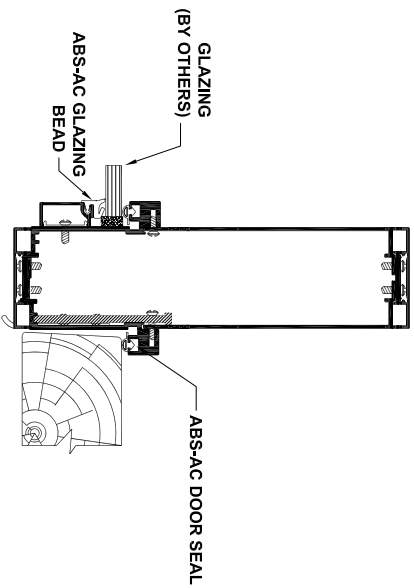
A
DOOR FRAME HEADER



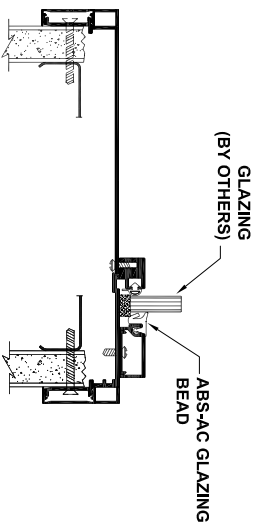
B
DOOR FRAME HINGE JAMB



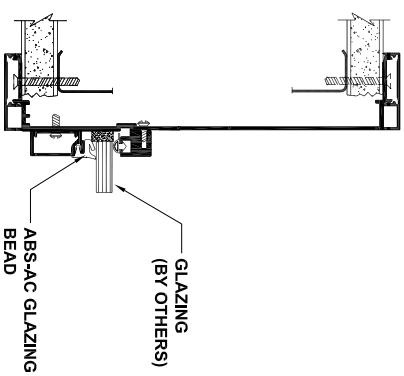
C
DOOR FRAME AT STRIKE JAMB
NOTE: EXTENDED LIP STRIKE NOT REQUIRED



D
STRIKE JAMB & S.L. MULLION W/ 2" FACE
(2" TRIM)
NOTE: EXTENDED LIP STRIKE NOT REQUIRED



E
SILL BASE ON DRYWALL PARTITION

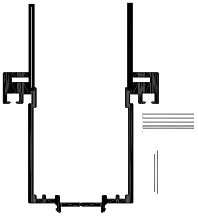


F
GLAZING RAIL

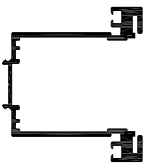


ABS - Architectural Components

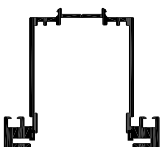
8401 Rowana Cir. Sacramento CA, 95828
Toll Free Number: (855) 566-2161
Phone Main: (916) 388-2161
Fax: (916) 388-9336



(2" TRIM)



(2" TRIM)



(2" TRIM)

ADJ "E" FRAME - 1-1/2" TRIM

