

ARCHITECT:

PROJECT:



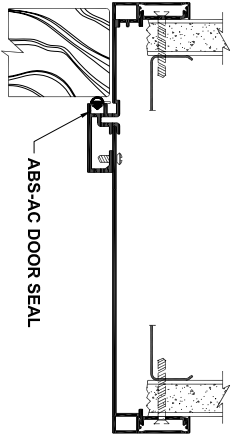
**ABS - Architectural Components**  
8401 Rovana Cir. Sacramento CA, 95828  
Toll Free Number: (866) 566-2161  
Phone Main: (916) 388-2161  
Fax: (916) 388-9336

DISTRIBUTOR:

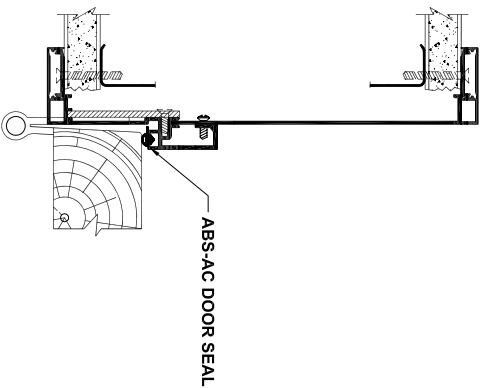
DATE:

SHEET:

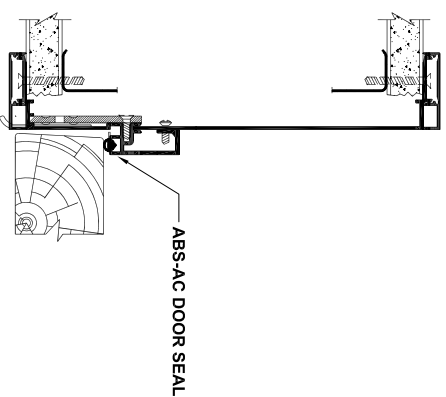
**CST FRAME - 1-1/2" TRIM**



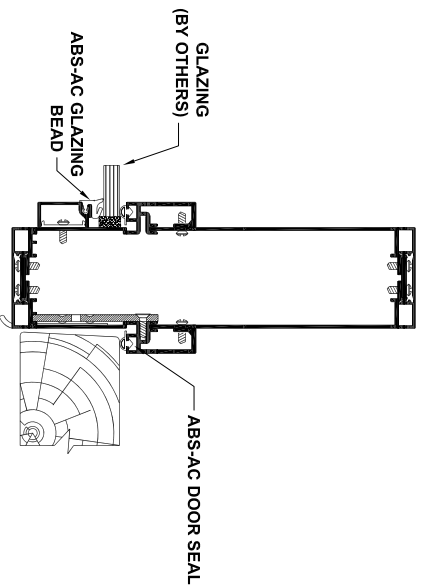
**A**  
DOOR FRAME HEADER



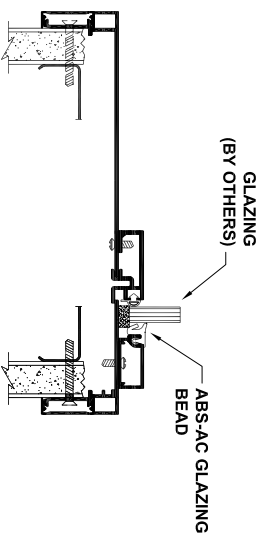
**B**  
DOOR FRAME HINGE JAMB



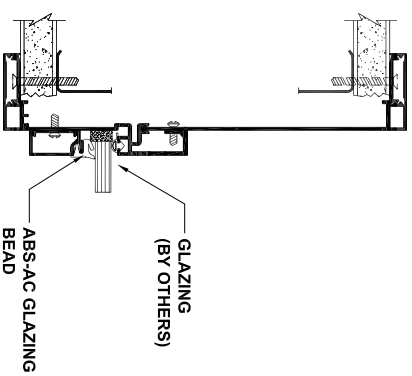
**C**  
DOOR FRAME AT STRIKE JAMB  
NOTE: EXTENDED LIP STRIKE NOT REQUIRED



**D**  
STRIKE JAMB & S.L. MULLION W/ 2" FACE  
(2" TRIM)  
NOTE: EXTENDED LIP STRIKE NOT REQUIRED



**E**  
SILL BASE ON DRYWALL PARTITION



**F**  
GLAZING RAIL

ARCHITECT:

PROJECT:



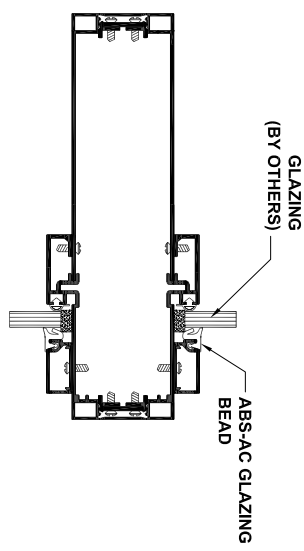
**ABS - Architectural Components**  
8401 Rovana Cir. Sacramento CA, 95828  
Toll Free Number: (866) 566-2161  
Phone Main: (916) 388-2161  
Fax: (916) 388-9336

DISTRIBUTOR:

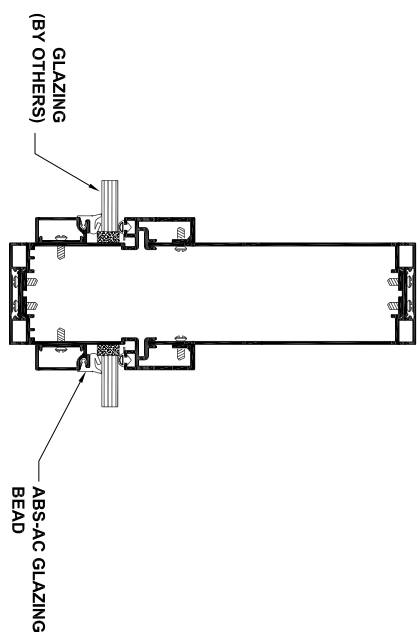
DATE:

SHEET:

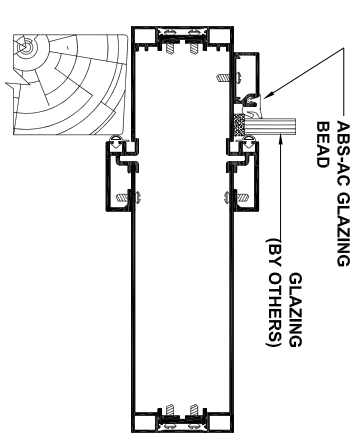
**CST FRAME - 1-1/2" TRIM**



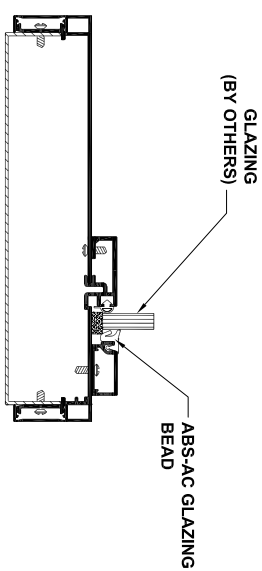
**G** HORIZONTAL MULLION W/ 2" FACE  
( 2" TRIM )



**H** VERTICAL MULLION W/ 2" FACE  
( 2" TRIM )



**I** TRANSOM HEADER W/ 2" FACE  
( 2" TRIM )



**J** SILL BASE WITH RETAINER