

ARCHITECT:

PROJECT:



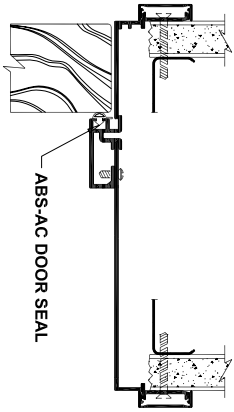
ABS - Architectural Components
8401 Rovana Cir. Sacramento CA. 95828
Toll Free Number: (866) 566-2161
Phone Main: (916) 388-2161
Fax: (916) 388-9336

DISTRIBUTOR:

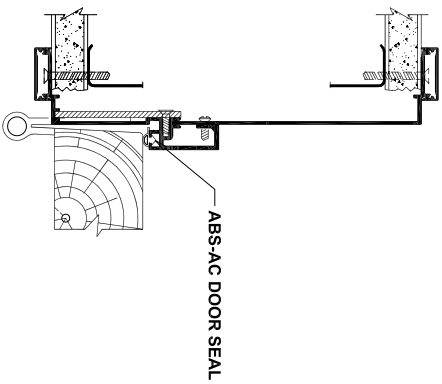
DATE:

SHEET:

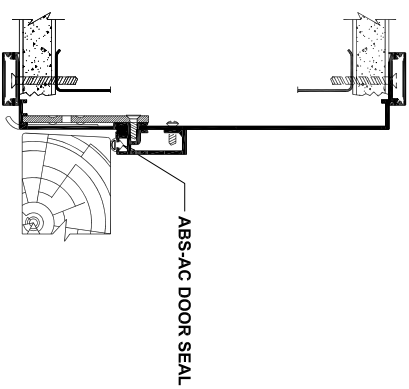
CST FRAME - 1" TRIM



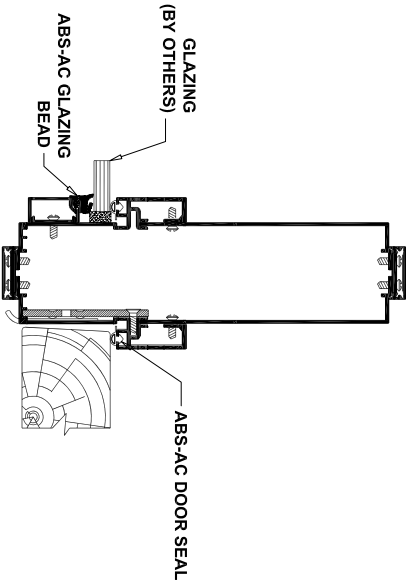
A DOOR FRAME HEADER



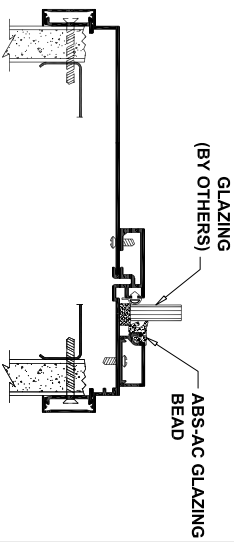
B DOOR FRAME HINGE JAMB



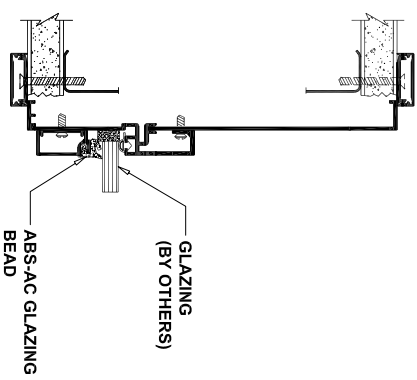
C DOOR FRAME AT STRIKE JAMB



D STRIKE JAMB & S.L. MULLION W/ 2" FACE



E SILL BASE ON DRYWALL PARTITION



F GLAZING RAIL

ARCHITECT:

PROJECT:



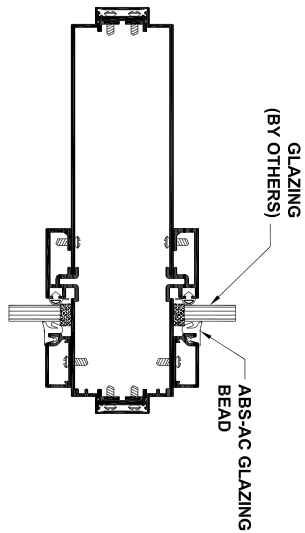
ABS - Architectural Components
8401 Rovana Cir. Sacramento CA, 95828
Toll Free Number: (866) 566-2161
Phone Main: (916) 388-2161
Fax: (916) 388-9336

DISTRIBUTOR:

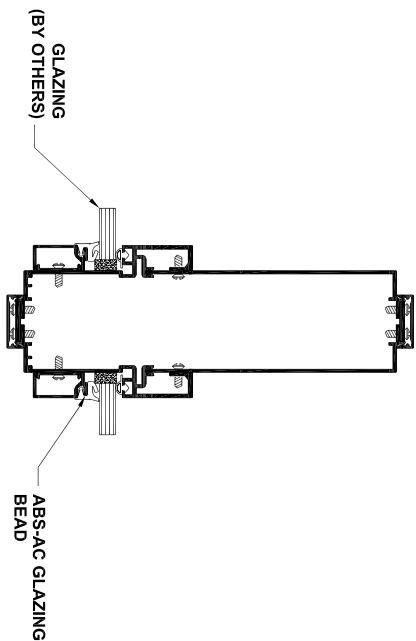
DATE:

SHEET:

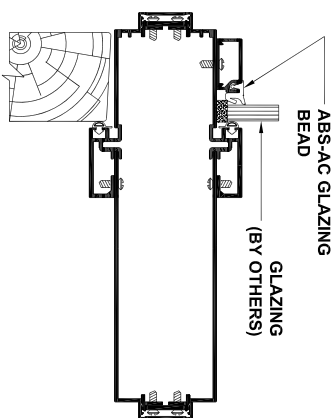
CST FRAME - 1" TRIM



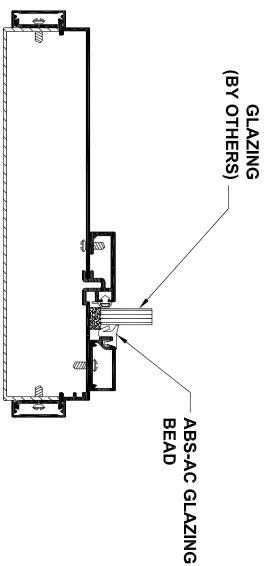
G HORIZONTAL MULLION W/ 2" FACE



H VERTICAL MULLION W/ 2" FACE



I TRANSOM HEADER W/ 2" FACE



J SILL BASE WITH RETAINER