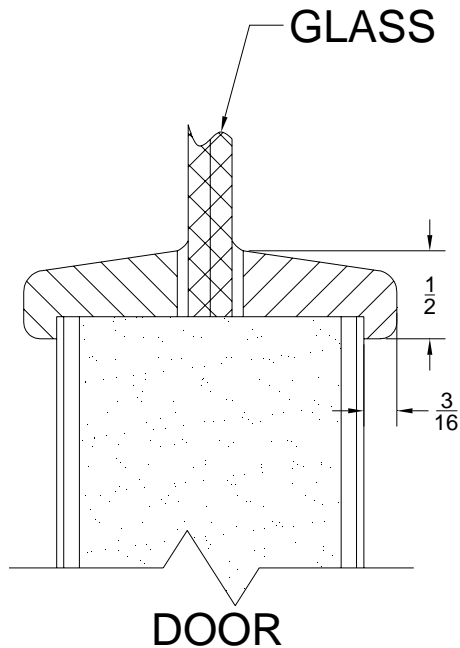
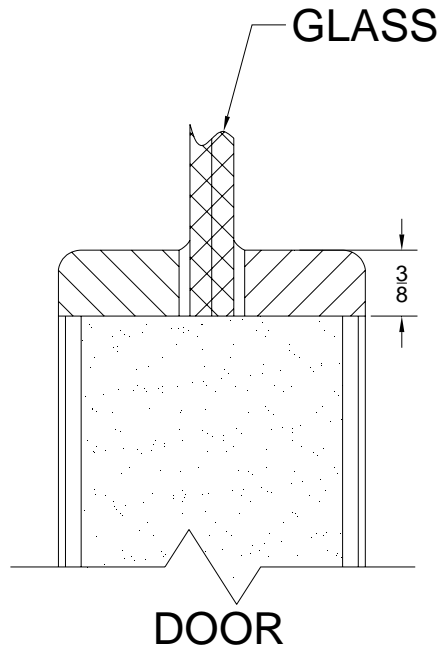


**WOOD VISION LITE KITS
NON RATED AND 20 MINUTE**



FULL LIP BEAD W-7



FLUSH BEAD W-9

PRODUCT FEATURES:

- | | |
|--|---|
| <p>Use</p> <p>Species Available</p> <p>Sizes</p> <p>Listed</p> <p>Glass size</p> <p>Maximum Cutout</p> <p>Maximum Visible Glass Size</p> <p>Parts List</p> | <p>For use with 20 Min. Fire Doors and non rated doors.</p> <p>Ash, Birch, Cherry, Mahogany, Maple, Red Oak, Walnut and White Oak.</p> <p>Various sizes available in full-inch increments up to maximum area / size listed below.</p> <p>ITS-WH Listed.</p> <p>Glass should be cut 1/16" less in length and width than wood beaded lite size ordered.</p> <p>1296 sq. inches. Maximums: 30" width, 54" height.</p> <p>1238 sq. inches.</p> <p>(1) one instructionsheet.</p> <p>(8) eight prefit wood beads with nails pre-fitted into the lite opening.</p> <p>(1) one tube of silicone caulk or glazing tape. (EPDM or Norton V990) supplied with glass by glazers.</p> <p>(1) one piece of 1/4" fire rated glass per NFPA 80 labeled for Fire Protection Rating. Supplied by glazers.</p> <p>Note: Glass should be cut 1/8" less in length and width than the lite opening size and measure 1/4" in thickness.</p> |
|--|---|