

**ABS-AC INSTALLATION INSTRUCTIONS FOR 20 MINUTE "POSITIVE PRESSURE"
(UBC 7.2 COMPLIANT) CONCEALED INTUMESCENT ALUMINUM FRAME**

- 1.) ALUMINUM FRAME IS SECURELY FASTENED TO WALL THROUGH THE SIDES INTO DRYWALL AND STUD USING DRYWALL SCREWS LONG ENOUGH TO PENETRATE 1/2" INTO STUD. TWO SCREWS ARE REQUIRED AT EACH HEAD CORNER WITH 8" ON CENTER MAXIMUM PLACEMENT. JAMBS INCLUDE TWO SCREWS AT THE TOP OF EACH JAMB SPACED 1" APART WITH A SCREW SET ABOVE AND BELOW EACH HINGE MAXIMUM 12" ON CENTER PLACEMENT.
- 2.) ABS-AC 20 MINUTE " POSITIVE PRESSURE " COMPLIANT FRAME MUST INCLUDE ONE OF THE FOLLOWING:
 - A. ABS-AC CONCEALED INTUMESCENT IN JAMBS (FIGURE # 1)
 - B. SURFACE MOUNTED INTUMESCENT TAPE (FIGURE # 2)
 - C. INTUMESCENT MACHINED INTO DOOR STILES AND TOP RAIL (FIGURE # 3)

NOTES:

WHEN USING ABS-AC CONCEALED FRAME INTUMESCENT, AN ADDITIONAL ADHESIVE INTUMESCENT STRIP MUST BE APPLIED TO TOP OF SINGLE DOOR WIDER THAN 3'-6" AND ALL PAIRS. NO ADDITIONAL INTUMESCENT IS REQUIRED FOR SINGLE DOORS UP TO 3'-6" WIDE. AN INTUMESCENT STRIP (EITHER SURFACE APPLIED OR MACHINED INTO ONE DOOR STILE) MUST ACCOMPANY ALL PAIRS. REFER TO MANUFACTURER'S DOOR LISTING FOR THE REQUIREMENTS ON MEETING EDGES OF PAIR OF DOORS.
ALL SURFACE MOUNTED INTUMESCENT TAPE AND INTUMESCENT MACHINED INTO THE DOOR ARE SUPPLIED BY OTHER.

- 3.) MAXIMUM FRAME SIZE IS 8'-0" X 9'-0" UTILIZING A MINIMUM 3-3/4" WALL THICKNESS FRAME.
- 4.) DOORS MUST BE APPROVED AND LISTED FIRE DOORS AS CERTIFIED BY THE MANUFACTURER AND COMPLY WITH MINIMUM 20 MINUTE CONSTRUCTION USING ONE OF THE METHODS OUTLINED HEREIN AND BEAR A 20 MINUTE "POSITIVE PRESSURE" LABEL. VARYING DOOR CUTOUTS AND APPLICATIONS ARE DEPENDENT UPON DOOR MANUFACTURER'S FIRE LABELING CERTIFICATION.
- 5.) HARDWARE MUST BE APPROVED AND LISTED FIRE DOORS AS CERTIFIED BY THE MANUFACTURER FOR EACH APPLICATION. VARYING HARDWARE APPLICATIONS ARE DEPENDENT UPON HARDWARE MANUFACTURER'S FIRE LABELING CERTIFICATION.

INTUMESCENT APPLICATIONS :

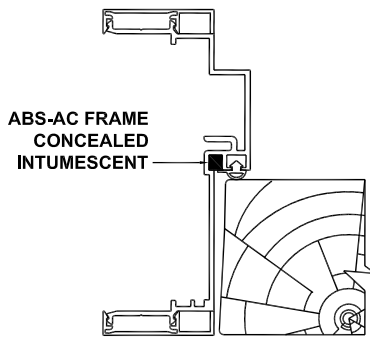


FIGURE 1

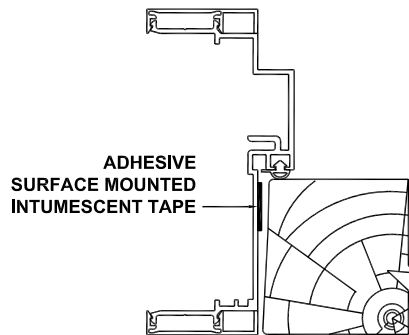


FIGURE 2

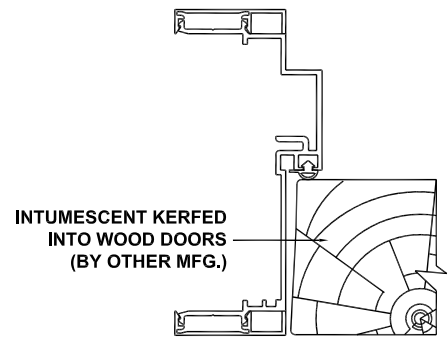


FIGURE 3

INDUSTRY AFFILIATIONS :



FIRE RATED FRAME DETAILS



ABS - Architectural Components
8401 Rovana Cir. Sacramento CA. 95828
Toll Free Number: (866) 566-2161
Phone Main: (916) 388-2161
Fax: (916) 388-9336

ABS - Architectural Components

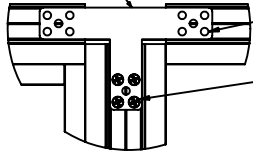
20 MIN. FRAME INSTALLATION DETAILS



INSTALL SHEET 2

T Clips,
(C30002 FOR 1.5" TRIM, (C30003 FOR 1" TRIM))
12 Screws EA.

DETAIL C



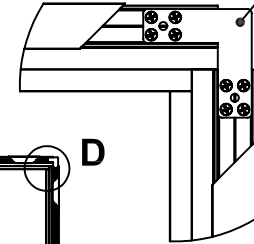
Do not insert screws into header.

Only insert screws into mullion on *T* clip
This will allow mullion to expand upward
when heated.

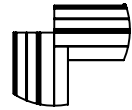
Screws:

6 x 3/8 Self drilling screw is
use to hold all clips in place.

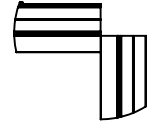
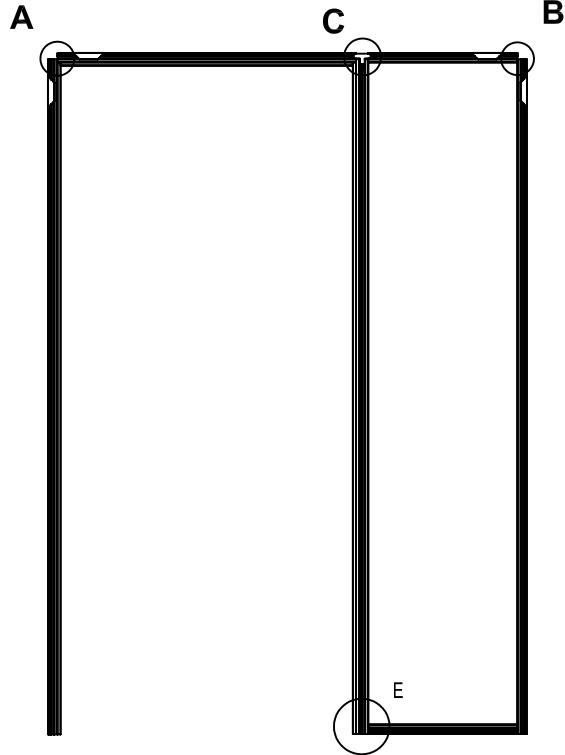
DETAIL D



Corner Clip
(C30001)
8 Screws EA.

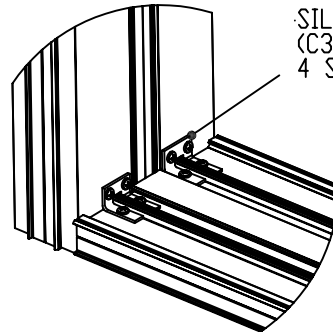


DETAIL A

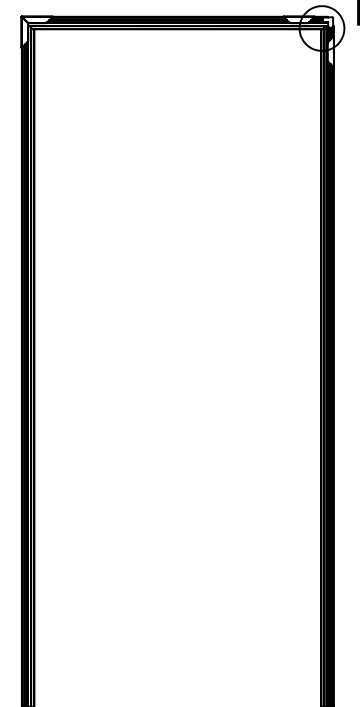


DETAIL B

DETAIL E



SILL Clip
(C30005)
4 Screws EA.



This assembly is for 20 min. Fire rated Door Frames.
Detail A & B: Notched header will be installed between legs.

Do not install corner clips. Use corner clip for alignment of legs to header only. Remove corner clips after alignment is done.

Leaving corner clips off will allow legs to expand upwards leaving header to stay in position.

1. Install frames plumb and square securing door frame to the wall through the sides into drywall/stud or other wall construction as specified.
2. Utilize corner alignment clips to assure correct frame connections.
3. Install snap on casing to conceal all fasteners. No exposed fasteners are visible upon completion of installation.