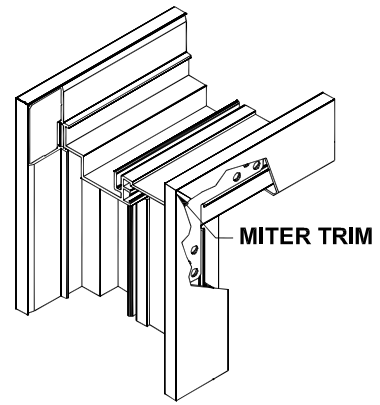
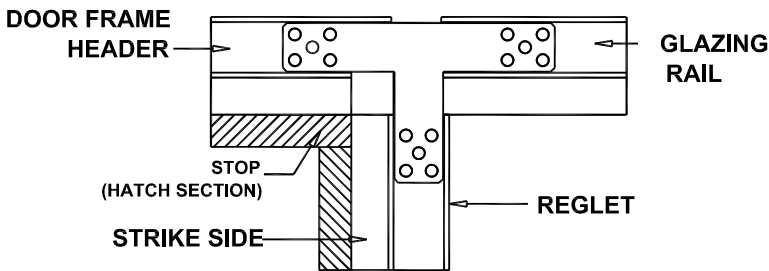


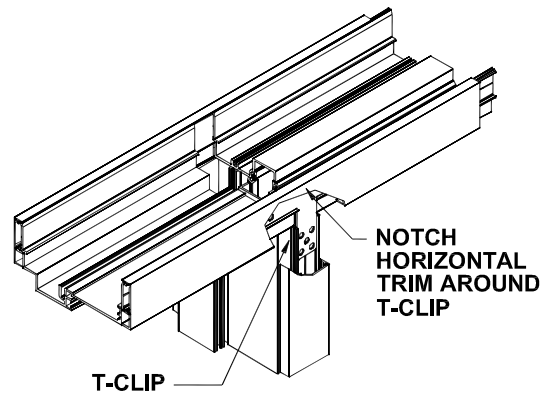
(PULL HEAD & JAMB TIGHT TO CLIP)



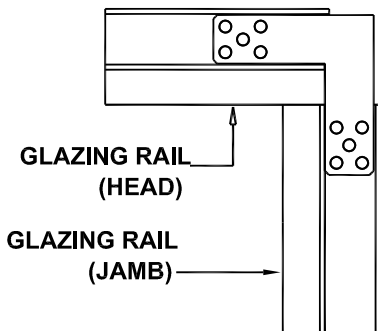
1 **STANDARD INSTALLATION**
NOTCHED JAMBS. HEAD RESTS ON TOP OF JAMBS.



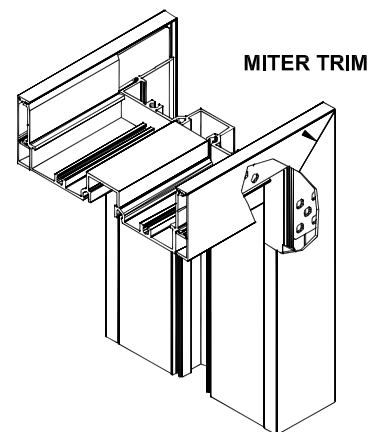
(PULL BOTH HEADS & STRIKE TIGHT TO CLIP)



2 **STRIKE JAMB @ HEADER**



(PULL HEAD & JAMB TIGHT TO CLIP)



3 **TOP CORNER OF SIDELITE / BORROWED LITE**

FRAME INSTALLATION DETAILS
FULL FACE TRIM



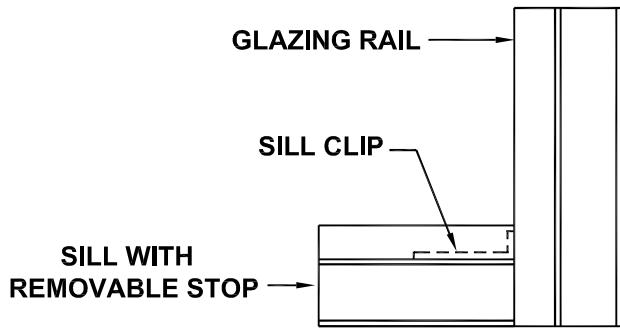
ABS - Architectural Components

8401 Rovana Cir. Sacramento CA. 95828

Toll Free Number: (866) 566-2161

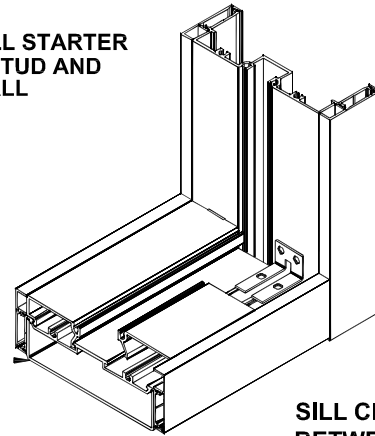
Phone Main: (916) 388-2161

Fax: (916) 388-9336



SILL @ SIDELITE / BORROWED LITE JAMB
SILL TO FLOOR WITH OR WITHOUT SILL STARTER

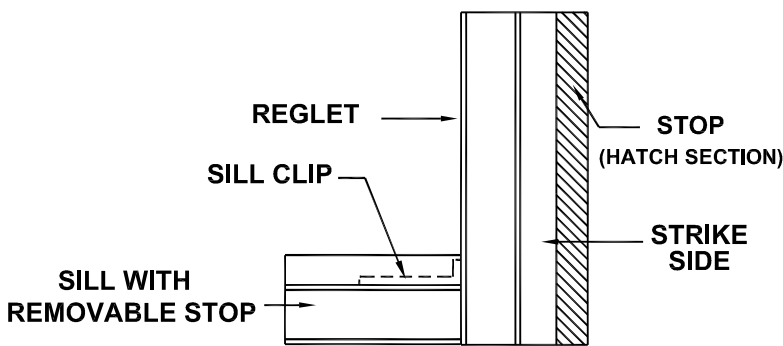
ABS-AC SILL STARTER
OR STEEL STUD AND
DRYWALL



NO NOTCHING
ON TRIM

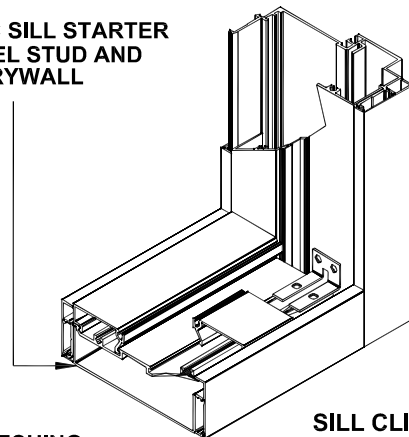
SILL CLIP RESTS
BETWEEN
SCREW RACE

4



SILL @ STRIKE JAMB
SILL TO FLOOR WITH OR WITHOUT SILL STARTER

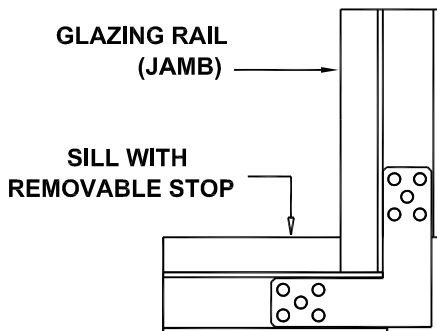
ABS-AC SILL STARTER
OR STEEL STUD AND
DRYWALL



NO NOTCHING
ON TRIM

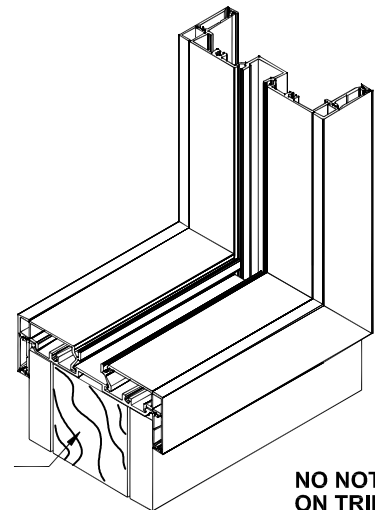
SILL CLIP RESTS
BETWEEN
SCREW RACE

5



SILL @ SIDELITE / BORROWED LITE JAMB
SILL ON PARTITION WALL

PARTIAL
WALL



NO NOTCHING
ON TRIM

6

FRAME INSTALLATION DETAILS
FULL FACE TRIM



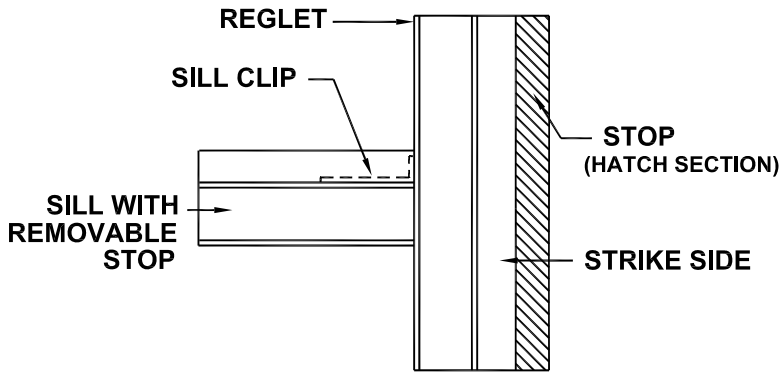
ABS - Architectural Components

8401 Rovana Cir. Sacramento CA. 95828

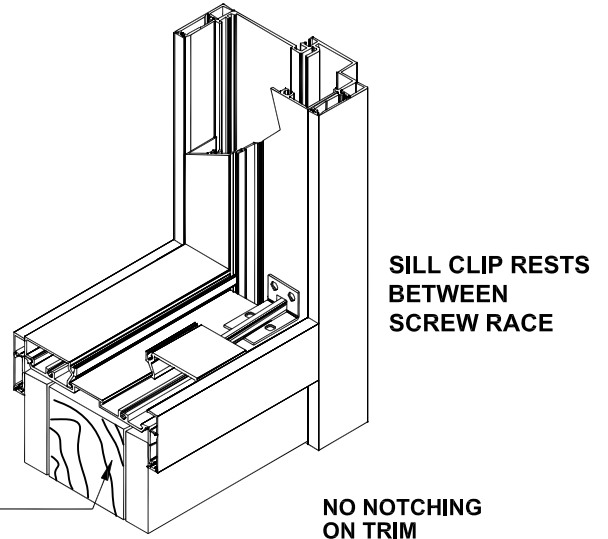
Toll Free Number: (866) 566-2161

Phone Main: (916) 388-2161

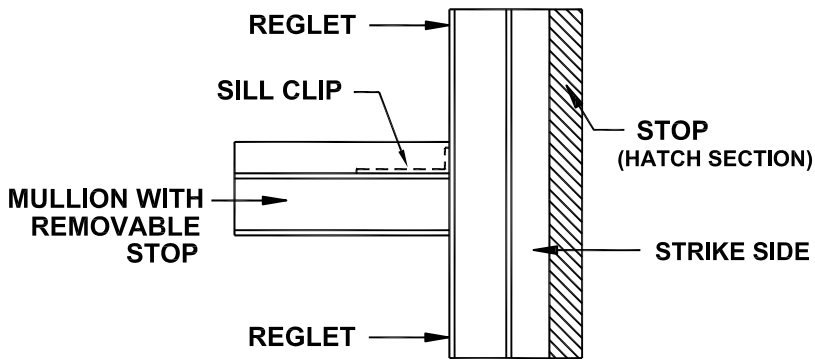
Fax: (916) 388-9336



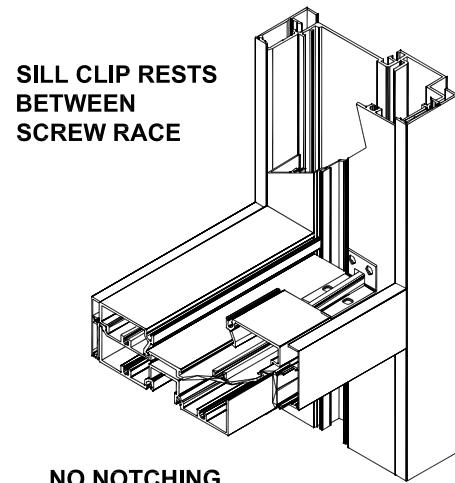
SILL @ STRIKE JAMB
SILL ON PARTIAL WALL



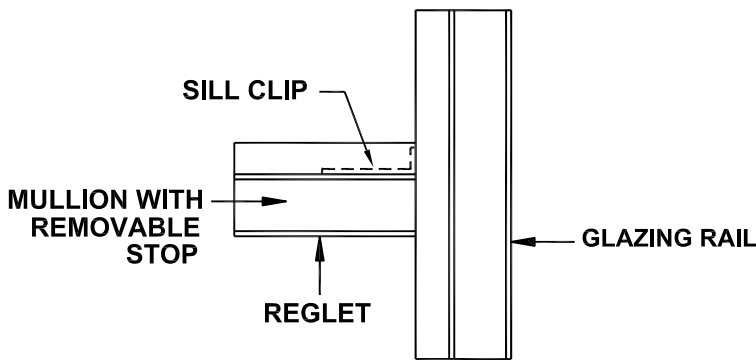
7



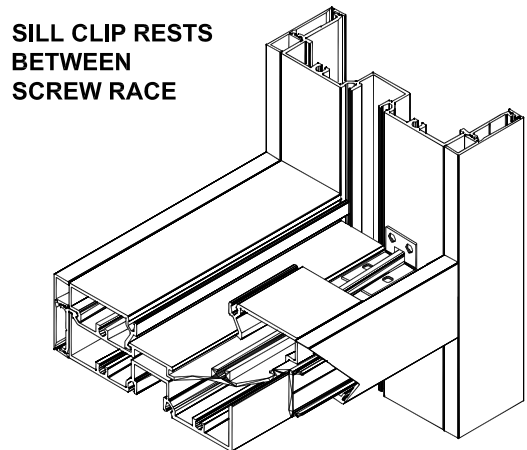
HORIZONTAL MULLION @ STRIKE MULLION



8



HORIZONTAL MULLION @ SIDELITE & BORROWED LITE

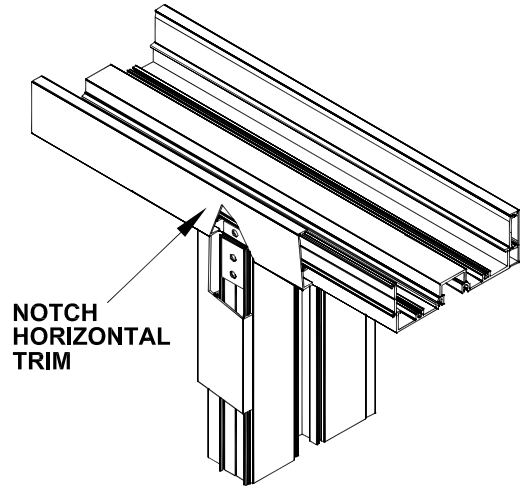
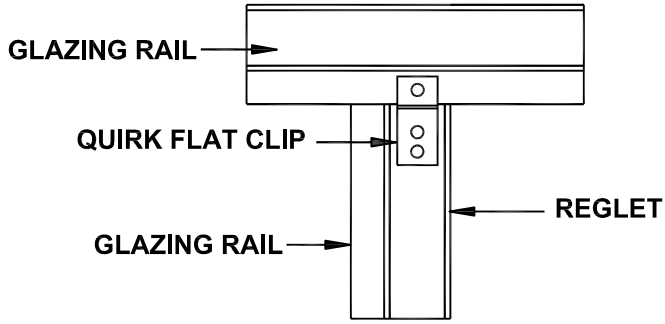


9

FRAME INSTALLATION DETAILS
FULL FACE TRIM

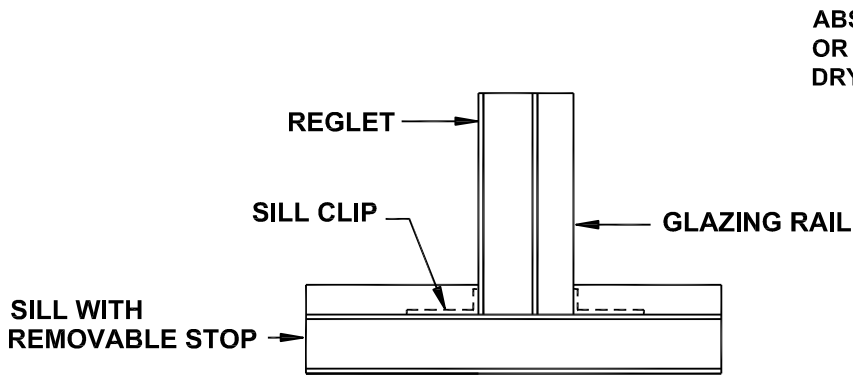


ABS - Architectural Components
8401 Rovana Cir. Sacramento CA. 95828
Toll Free Number: (866) 566-2161
Phone Main: (916) 388-2161
Fax: (916) 388-9336

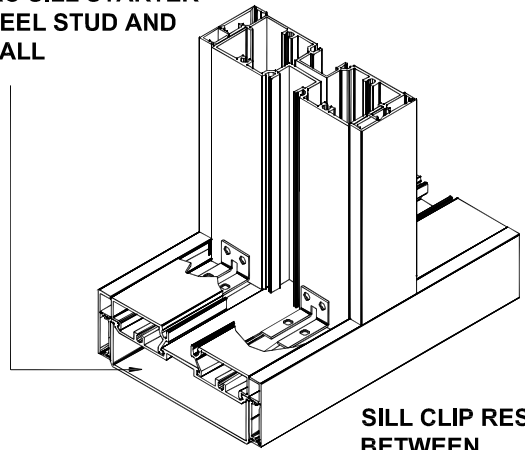


VERTICAL MULLION @ SIDELITE/BORROWED LITE HEAD

10

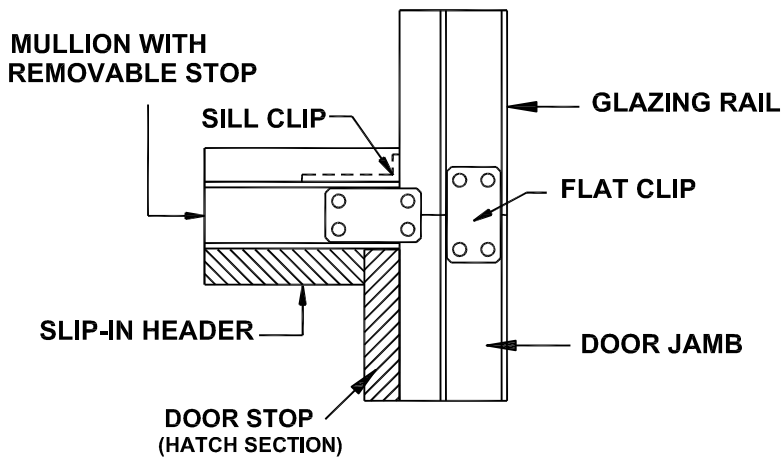


ABS-AC SILL STARTER OR STEEL STUD AND DRYWALL

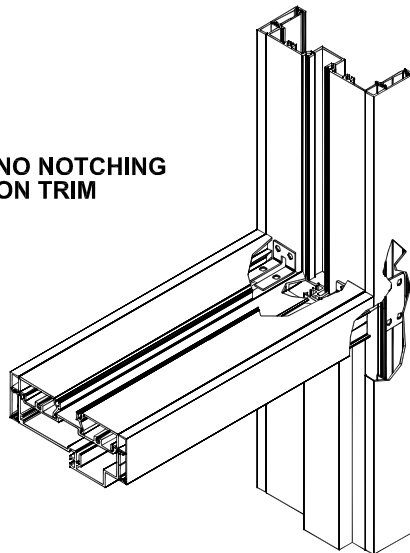


SILL @ VERTICAL MULLION
STANDARD INSTALLATION

11



NO NOTCHING ON TRIM



TRANSOM @ HINGE OR STRIKE JAMB

12

FRAME INSTALLATION DETAILS
FULL FACE TRIM



ABS - Architectural Components

8401 Rovana Cir. Sacramento CA. 95828

Toll Free Number: (866) 566-2161

Phone Main: (916) 388-2161

Fax: (916) 388-9336