

# ABS - Architectural Components

## ALUMINUM FRAME SIDELITE INSTALLATION



2 CORNER CLIPS  
C30001

A

2 QUIRK CLIPS  
C30007

D

2 CORNER CLIPS  
C3001

A

2 SILL CLIPS  
C30006

2 "T" CLIPS  
C30002

B

2 SILL CLIPS  
C30006

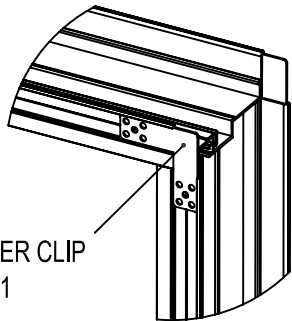
C

2 SILL CLIPS  
C30006

C

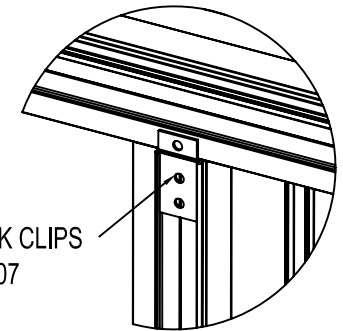
C

DETAIL A



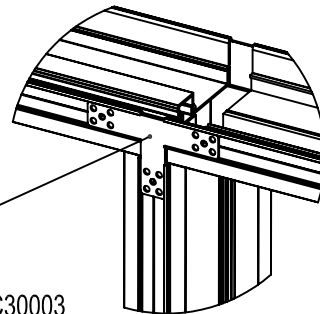
CORNER CLIP  
C30001

DETAIL D



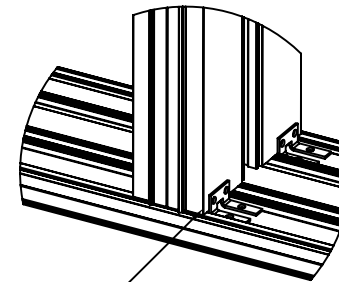
QUIRK CLIPS  
C30007

DETAIL B



"T" CLIPS  
FOR 1" TRIM: SWAGE "T" CLIP, C30003  
FOR 1.5" TRIM: "T" CLIP, C30002

DETAIL C



SILL CLIP  
C30005