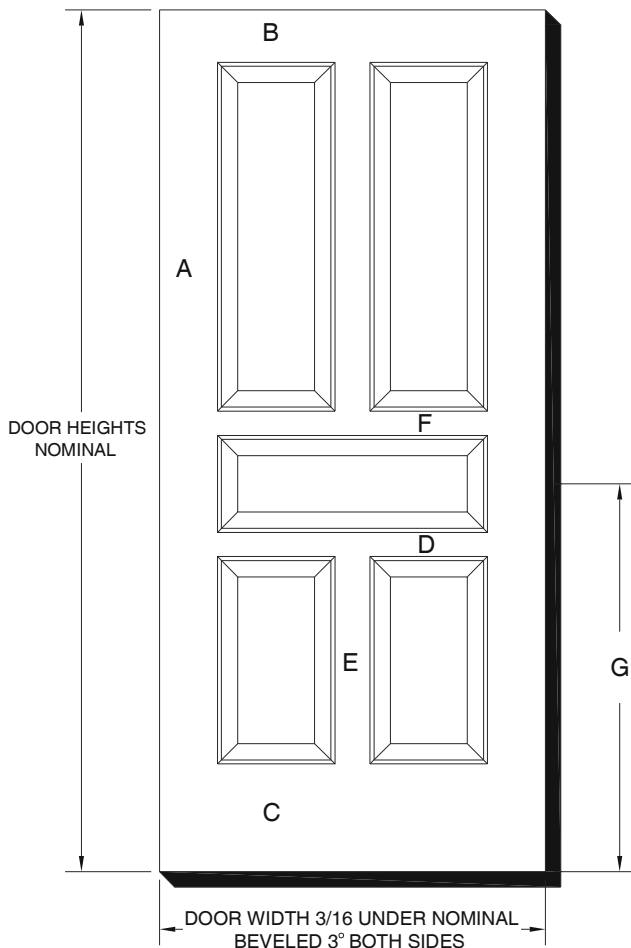


ALL LAYOUTS CAN BE CUSTOMIZED



STYLE	A		B	C	D	E	F	G
	2/0-2/8	3/0						
*101, *201, *301, *401	4-1/2"	5-3/8"	4-7/8"	10"	N/A	N/A	N/A	N/A
*102, *202, *302, *402	4-1/2"	5-3/8"	4-7/8"	10"	3-1/4"	N/A	N/A	36"
*103, *203, *303, *403	4-1/2"	5-3/8"	4-7/8"	10"	2-1/4"	N/A	2-1/4"	N/A
*104, *204, *304, *404	4-1/2"	5-3/8"	4-7/8"	10"	6-1/4"	3-1/4"	N/A	36"
*105, *205, *305, *405	4-1/2"	5-3/8"	4-7/8"	10"	2-1/4"	3-1/4"	2-1/4"	N/A
*106, *206, *306, *406	4-1/2"	5-3/8"	4-7/8"	10"	6-1/4"	3-1/4"	3-1/4"	36"

* Infinity series 1000, 2000A, 2000D, Encore series 6000, and Ovation series 7000

mill spec.

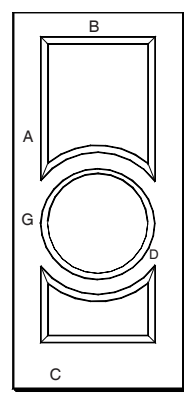
Example: 1105 Infinity, 6105 Encore, and 7105 Ovation

A - Stile Width
B - Top Rail
C - Bottom Rail

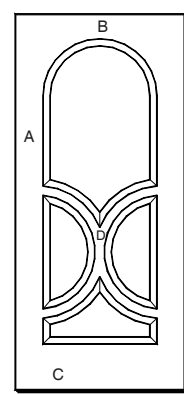
D - Lock Rail
E - Center Stile
F - Intermediate Rail

G - Lock rail position (up from bottom)

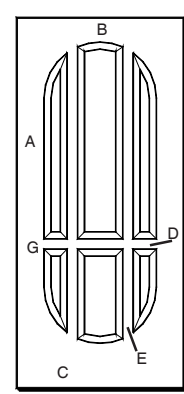
**ALL LAYOUTS CAN BE CUSTOMIZED
 MORE STANDARD LAYOUTS AVAILABLE
 CALL YOUR REPRESENTATIVE FOR SPECIFICS**



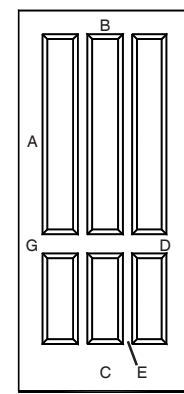
510



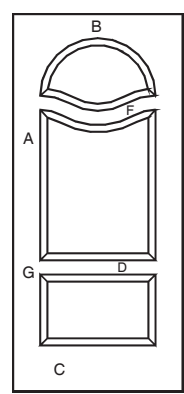
511



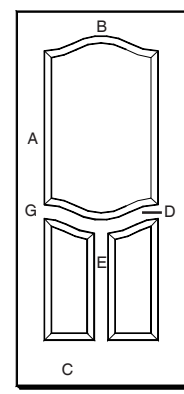
512



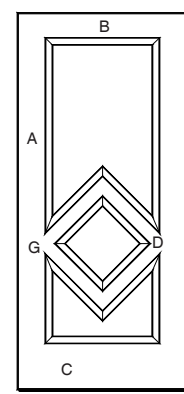
607



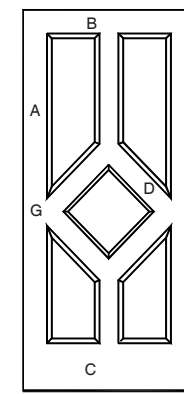
513



514



506



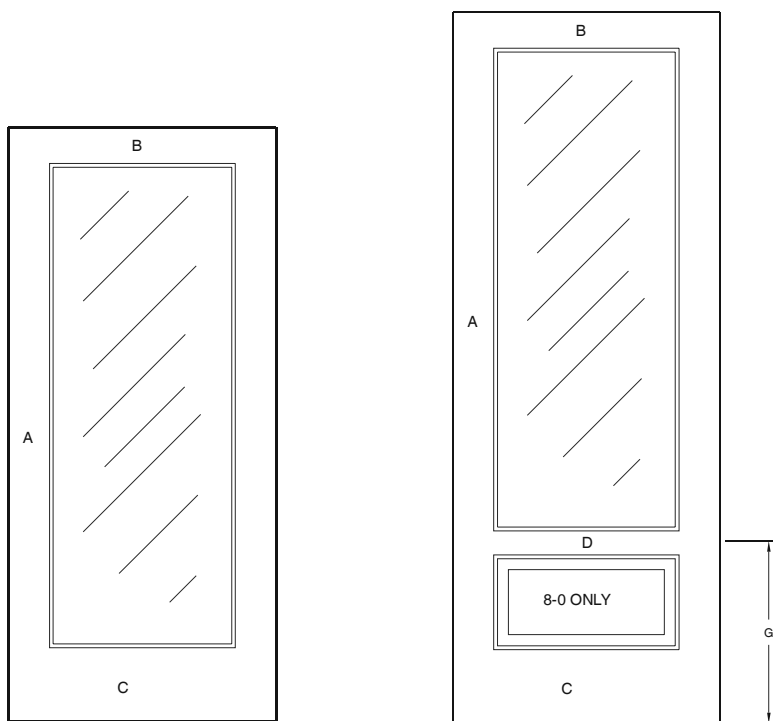
610

STYLE	A		B	C	D	E	F	G
	2/0-2/8	3/0						
*510	4-1/2"	5-3/8"	4-7/8"	10"	2-1/4"	N/A	N/A	36"
*511	4-1/2"	5-3/8"	4-7/8"	10"	1-1/4"	N/A	N/A	N/A
*512	4-1/2"	5-3/8"	4-7/8"	10"	1-1/2"	1-1/2"	N/A	32"
*513	4-1/2"	5-3/8"	4-7/8"	10"	2-1/4"	N/A	2-1/4"	29"
*514	4-1/2"	5-3/8"	4-7/8"	10"	2-1/4"	2-1/4"	N/A	36"
*506	4-1/2"	5-3/8"	4-7/8"	10"	2-1/4"	N/A	N/A	32"
*607	4-1/2"	5-3/8"	4-7/8"	10"	3-1/4"	N/A	N/A	32"
*610	4-1/2"	5-3/8"	4-7/8"	10"	3-1/4"	N/A	N/A	36"

* Infinity series 1000, Encore series 6000, and Ovation series 7000

mill spec. 2

- A - Stile Width
- B - Top Rail
- C - Bottom Rail
- D - Lock Rail
- E - Center Stile
- F - Intermediate Rail
- G - Lock rail position (up from bottom)



STYLE	A		B	C	D	E	F	G
	2/0-2/8	3/0						
7101 MIRROR - 6/8	4-1/2"	5-3/8"	4-7/8"	10"	N/A	N/A	N/A	N/A
7101 LAMI - 6/8	4-1/2"	5-3/8"	4-7/8"	10"	N/A	N/A	N/A	N/A
7101 MIRROR - 7/0	4-1/2"	5-3/8"	4-7/8"	14"	N/A	N/A	N/A	N/A
7101 LAMI - 7/0	4-1/2"	5-3/8"	4-7/8"	14"	N/A	N/A	N/A	N/A
7101 MIRROR - 8/0	4-1/2"	5-3/8"	4-7/8"	10"	N/A	N/A	N/A	N/A
7102 LAMI - 8/0**	4-1/2"	5-3/8"	4-7/8"	10"	3-1/4"	N/A	N/A	24-3/8"
6101 MARKING BOARD - 6/8	4-1/2"	4-1/2"	4-7/8"	10"	N/A	N/A	N/A	N/A
6101 MARKING BOARD - 6/8	5"	5"	4-7/8"	10-7/8"	N/A	N/A	N/A	N/A
6101 MARKING BOARD - 7/0	4-1/2"	4-1/2"	4-7/8"	14"	N/A	N/A	N/A	N/A
6101 MARKING BOARD - 7/0	5"	5"	4-7/8"	14-7/8"	N/A	N/A	N/A	N/A
6102 MARKING BOARD - 80*	4-1/2"	4-1/2"	4-7/8"	10"	3-1/2"	N/A	N/A	N/A
7102 MARKING BOARD - 80**	5"	5"	4-7/8"	10"	3-1/2"	N/A	N/A	24-3/8"

* 8/0 has bottom panel

mill spec. 3

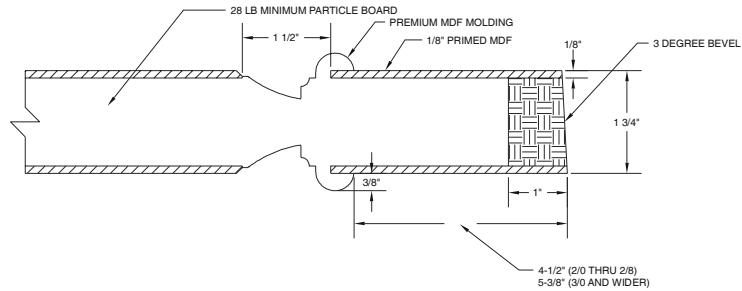
** Ovation 8/0 has bottom panel, 7/8" raised panel, and round sticking standard

A - Stile Width
B - Top Rail
C - Bottom Rail

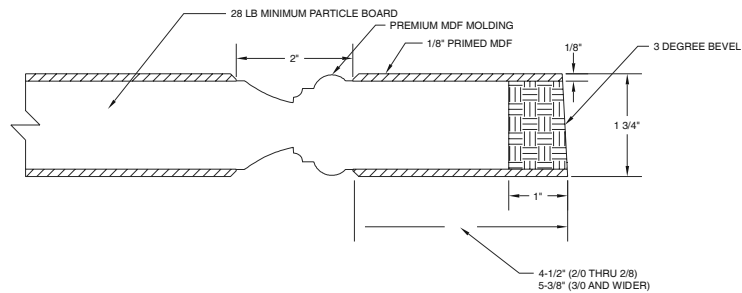
D - Lock Rail
E - Center Stile
F - Intermediate Rail

G - Lock rail position (up from bottom)

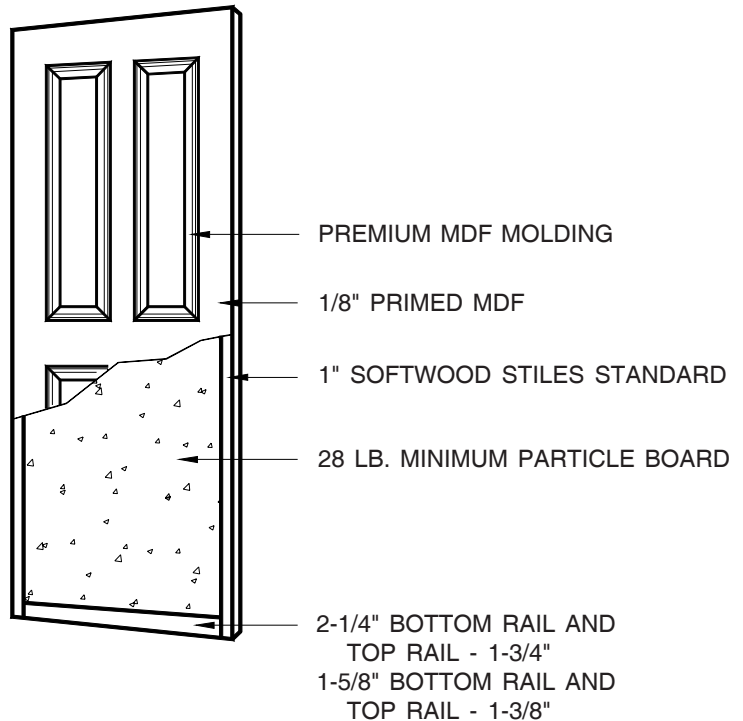
INFINITY RAISED MOLDING PROFILE



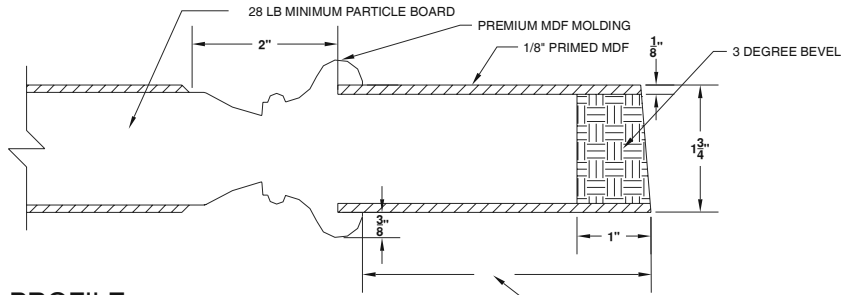
INFINITY FLUSH MOLDING PROFILE



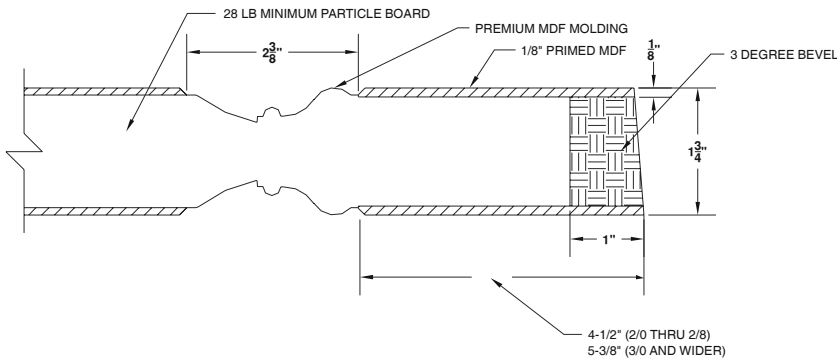
- STANDARD THICKNESS 1-3/4" & 1-3/8"
- STANDARD DOOR WIDTHS:
2/0, 2/4, 2/6, 2/8, 3/0
- STANDARD DOOR HEIGHTS:
6/8, 7/0, 8/0
- FIRE RATINGS AVAILABLE
- WARRANTY:
SEE LIMITED WARRANTY
- HARDWARE MACHINING:
TO SPECIFICATION



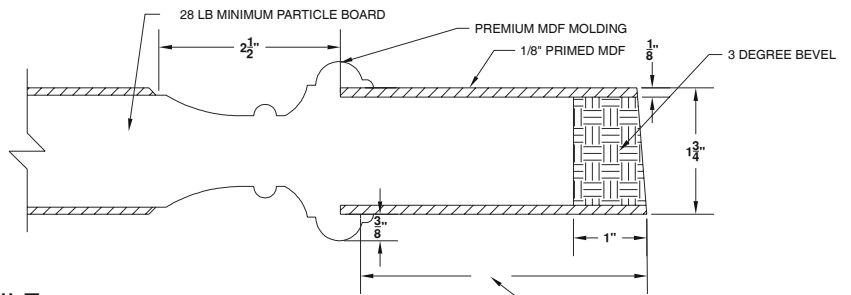
ARCHITECTURAL RAISED MOLDING PROFILE 1-3/4" DOOR THICKNESS ONLY



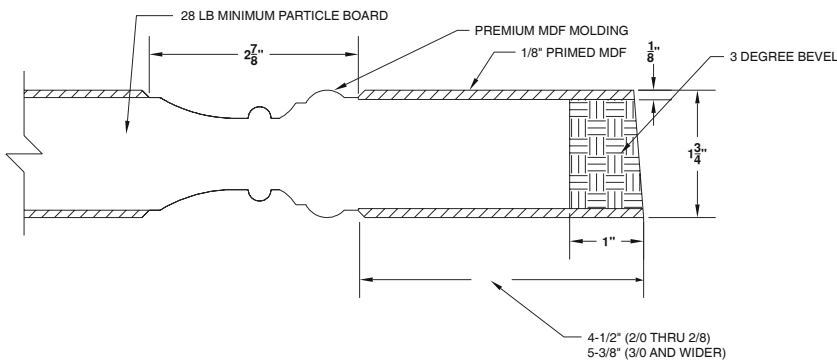
ARCHITECTURAL FLUSH MOLDING PROFILE 1-3/4" DOOR THICKNESS ONLY



DESIGNER RAISED MOLDING PROFILE 1-3/4" DOOR THICKNESS ONLY

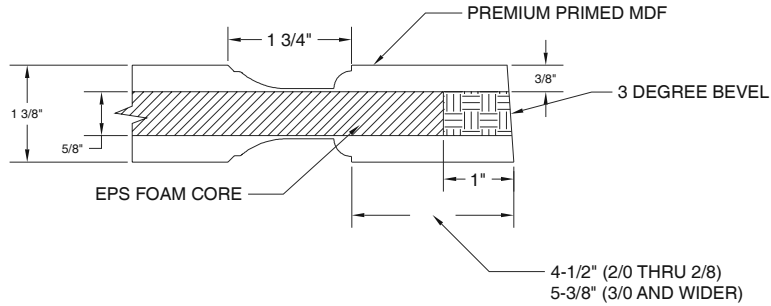


DESIGNER FLUSH MOLDING PROFILE 1-3/4" DOOR THICKNESS ONLY

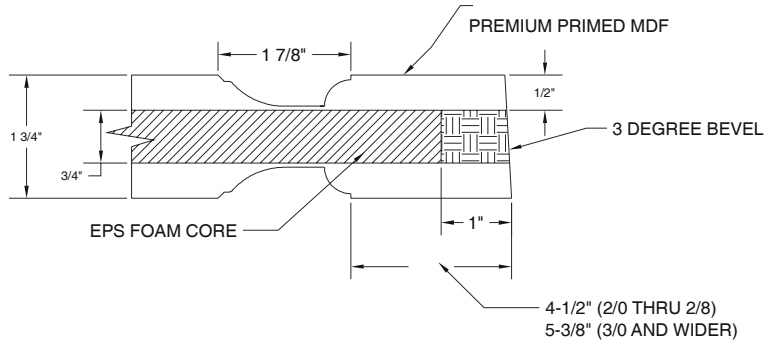


FOAM CORE

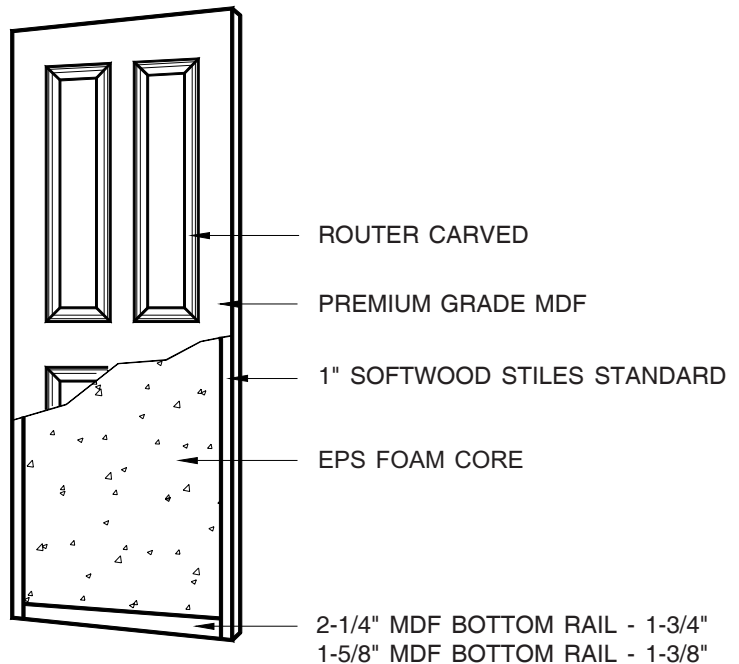
ENCORE STANDARD 1 3/8" FOAM CORE



ENCORE STANDARD 1 3/4" FOAM CORE

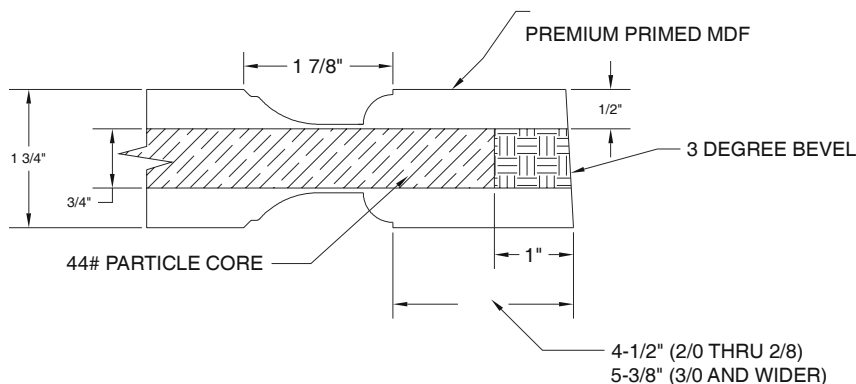


- STANDARD THICKNESS 1-3/4" & 1-3/8"
- STANDARD DOOR WIDTHS:
2/0, 2/4, 2/6, 2/8, 3/0
- STANDARD DOOR HEIGHTS:
6/8, 7/0, 8/0
- WARRANTY:
SEE LIMITED WARRANTY
- HARDWARE MACHINING:
TO SPECIFICATION

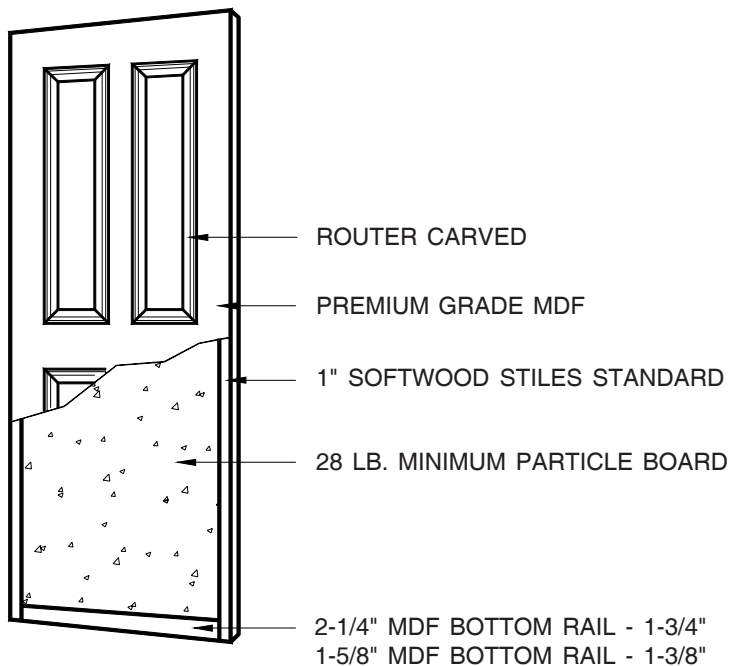


ENCORE 20 MIN. FIRE RATED 1-3/4" DOOR - Cat B only

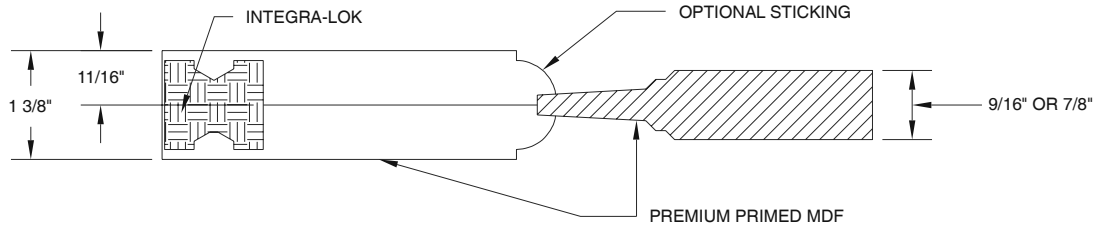
ENCORE 20 MIN. FIRE RATED 1-3/4" DOOR



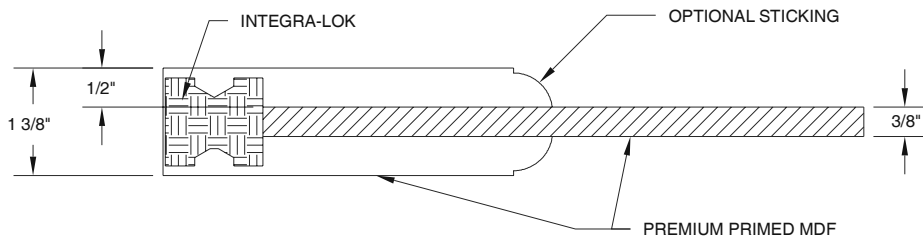
- STANDARD THICKNESS 1-3/4" & 1-3/8"
- STANDARD DOOR WIDTHS:
2/0, 2/4, 2/6, 2/8, 3/0
- STANDARD DOOR HEIGHTS:
6/8, 7/0, 8/0
- 20 MIN. FIRE RATING AVAILABLE
ON 1-3/4"
- WARRANTY:
SEE LIMITED WARRANTY
- HARDWARE MACHINING:
TO SPECIFICATION



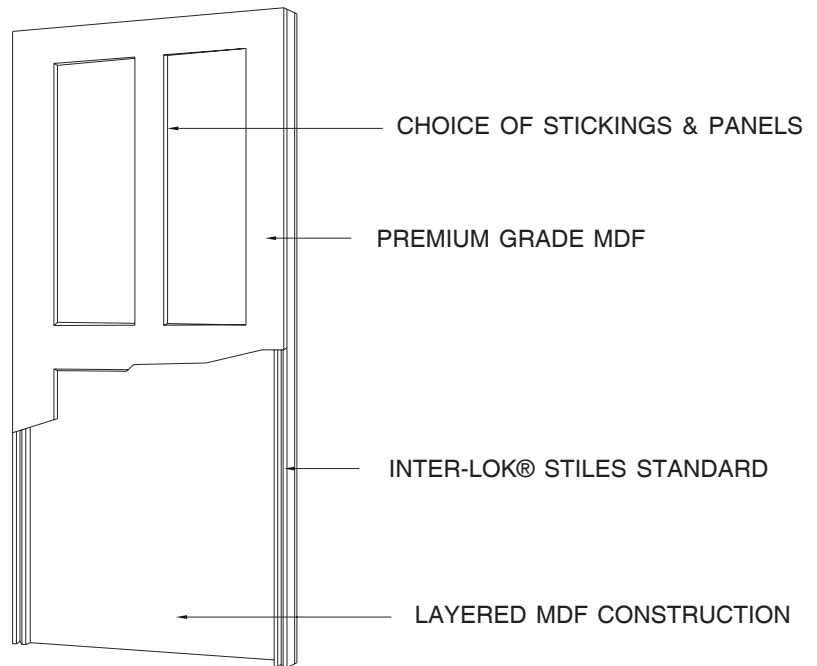
OVATION 1-3/8" RAISED PANEL DOORS



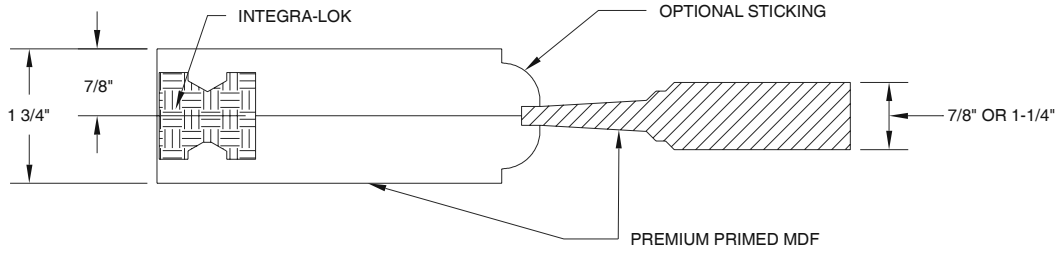
OVATION 1-3/8" FLAT PANEL DOORS



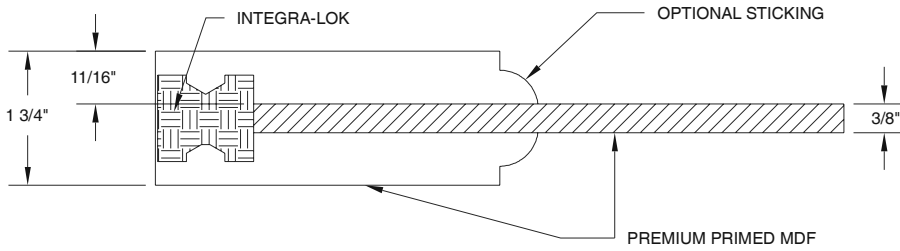
- STANDARD THICKNESS 1-3/4" & 1-3/8"
- STANDARD DOOR WIDTHS:
2/0, 2/4, 2/6, 2/8, 3/0
- STANDARD DOOR HEIGHTS:
6/8, 7/0, 8/0
- 20 MIN. FIRE RATING AVAILABLE
ON 1-3/4"
- WARRANTY:
SEE LIMITED WARRANTY
- HARDWARE MACHINING:
TO SPECIFICATION



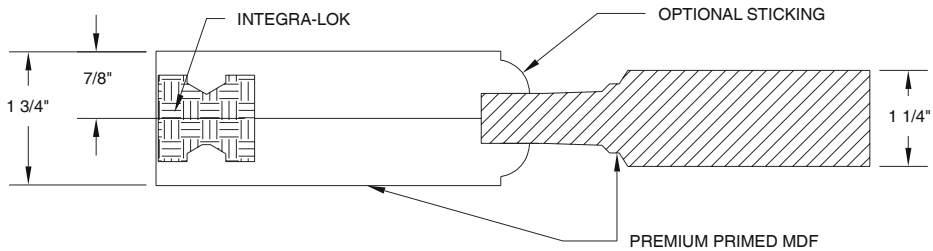
OVATION 1-3/4" RAISED PANEL DOORS



OVATION 1-3/4" FLAT PANEL DOORS



OVATION 20 MINUTE 1-1/4" RAISED PANEL DOORS



OVATION 20 MINUTE 5/8" FLAT PANEL DOORS

