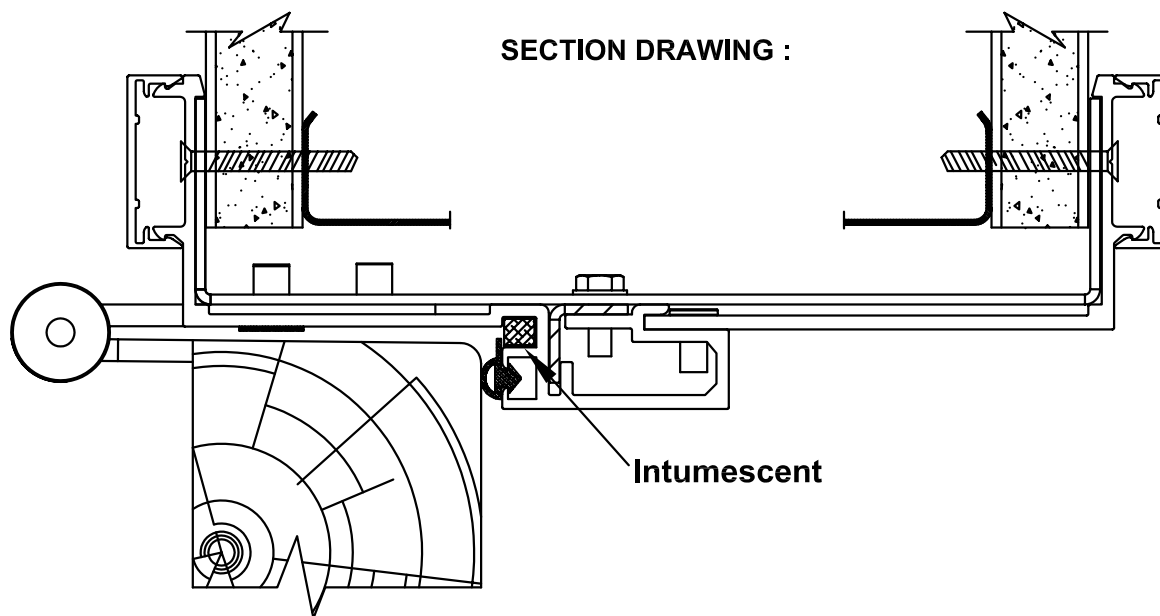


ABS-AC INSTALLATION INSTRUCTIONS FOR 90 MINUTE "POSITIVE PRESSURE" (UBC 7.2 COMPLIANT) CONCEALED INTUMESCENT ALUMINUM FRAME

- 1.) ALUMINUM FRAME IS SECURELY FASTENED TO WALL THROUGH THE SIDES INTO DRYWALL AND STUD USING DRYWALL SCREWS LONG ENOUGH TO PENETRATE 1/2" INTO STUD. TWO SCREWS ARE REQUIRED AT EACH HEAD CORNER WITH 8" ON CENTER MAXIMUM PLACEMENT. JAMBS INCLUDE TWO SCREWS AT THE TOP OF EACH JAMB SPACED 1" APART WITH A SCREW SET ABOVE AND BELOW EACH HINGE MAXIMUM 12" ON CENTER PLACEMENT. WHEN INSTALLED AS PAIRS IN DRYWALL CONSTRUCTION, SHALL HAVE ANCHORS INSTALLED IN THE HEAD SECTION, MINIMUM 24" O.C.
- 2.) ABS-AC 90 MINUTE QUALIFIES FOR USE IN POSITIVE PREASURE ASSEMBLIES, WITH CATEGORY "A" DOORS, OR WITH CATEGORY "B" DOORS UTILIZING CATEGORY "G" EDGE SEALING SYSTEMS.
- 3.) MAXIMUM FRAME SIZE IS 6'-0" X 8'-0" UTILIZING A MINIMUM 4-7/8" WALL THICKNESS FRAME.
- 4.) DOORS MUST BE APPROVED AND LISTED FIRE DOORS AS CERTIFIED BY THE MANUFACTURER AND COMPLY WITH MINIMUM 90 MINUTE CONSTRUCTION USING ONE OF THE METHODS OUTLINED HEREIN AND BEAR A 90 MINUTE "POSITIVE PRESSURE" LABEL. VARYING DOOR CUTOUTS AND APPLICATIONS ARE DEPENDENT UPON DOOR MANUFACTURER'S FIRE LABELING CERTIFICATION.
- 5.) HARDWARE MUST BE APPROVED AND LISTED FIRE DOORS AS CERTIFIED BY THE MANUFACTURER FOR EACH APPLICATION. VARYING HARDWARE APPLICATIONS ARE DEPENDENT UPON HARDWARE MANUFACTURER'S FIRE LABELING CERTIFICATION.



INDUSTRY AFFILIATIONS :

Warnock Hersey



FIRE RATED FRAME DETAILS

DOORMERICA

ABS - Architectural Components

8401 Rovana Cir. Sacramento CA. 95828

Toll Free Number: (866) 566-2161

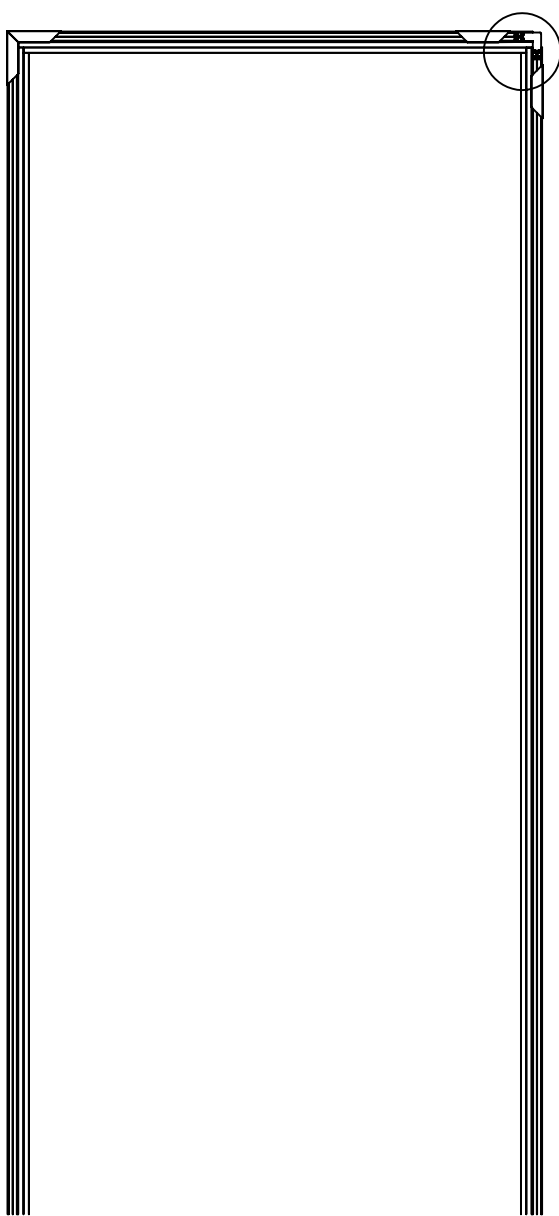
Phone Main: (916) 388-2161

Fax: (916) 388-9336

Page 1

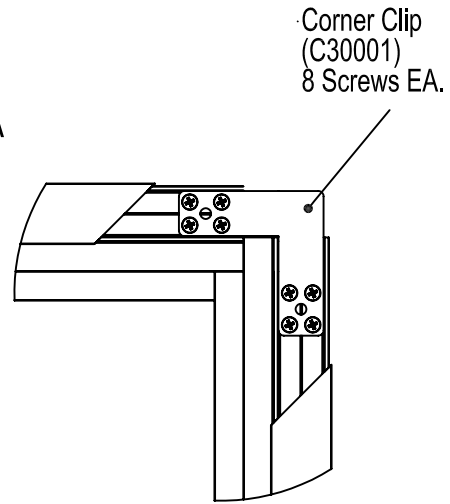
ABS - Architectural Components

90 MIN. FRAME INSTALLATION DETAILS



A

DETAIL A



Corner Clip
(C30001)
8 Screws EA.

Screws:

6 x 3/8 Self drilling screw is
use to hold all clips in place.
Remove when frame is secure.

1. Install frames plumb and square securing door frame to the wall through the sides into drywall/stud or other wall construction as specified.
2. Utilize corner alignment clips to assure correct frame connections. Remove when frame is secure in wall.
3. Install snap on casing to conceal all fasteners. No exposed fasteners are visible upon completion of installation.

This assembly is for 90 min. Fire rated Door Frames. Do not install corner clips. Use corner clip for alignment of legs to header only. Remove corner clips after alignment is done. Leaving corner clips off will allow legs to expand upwards leaving header to stay in position. When installed as pairs in drywall construction, shall have anchors installed in the head section, minimum of 24" o.c.



ABS - Architectural Components

8401 Rovana Cir. Sacramento CA. 95828

Toll Free Number: (866) 566-2161

Phone Main: (916) 388-2161

Fax: (916) 388-9336