

**Fire-Rated Infinity Door****45-60 Minute (Positive Pressure) - Category A  
INTUMESCENT LAYERED CORE - Manufacturing Specifications  
As of May 2006**

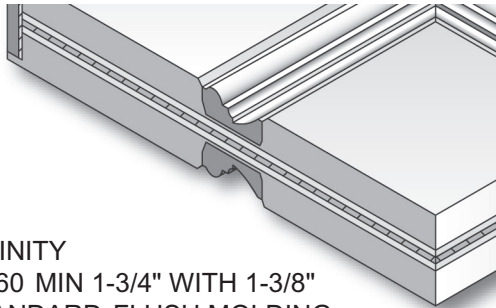
<b>MAXIMUM SIZES</b>	All doors shall have a minimum thickness of 1-3/4" $\pm$ 1/16"
Single Swing:	3/6 x 8/0
Standard Pair:	7/0 x 8/0
Double Egress Pair:	7/0 x 8/0
Standard CVR Pair:	3/6 x 8/0
Double Egress CVR Pair:	7/0 x 8/0
Door & Transom Single Swing:	N/A
Door & Transom Pair:	N/A
Dutch Door Single Swing:	N/A
Dutch Door Pair:	N/A
Fire Rated Minimum Stile	4-1/2"

19

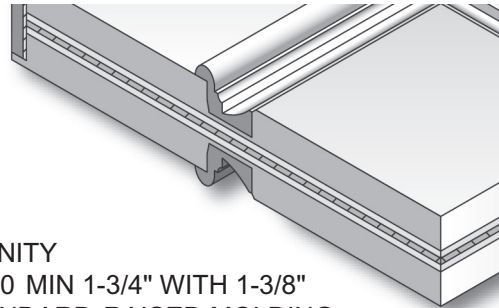
**Note:** *Hardware machining must be done by the factory or authorized dealer/distributor in order for the door to receive an attached metal label. Intumescent layered core must be pre-sized in width & height by the factory. See Prefit and Machining section.*

		<b>SINGLE DOOR</b>	<b>DOUBLE DOOR</b>
6/8 45 MIN DOOR	INFINITY DOOR PLUS	\$ 438.00	\$ 695.00
7/0 45 MIN DOOR	INFINITY DOOR PLUS	\$ 515.00	\$ 1,030.00
8/0 45 MIN DOOR	INFINITY DOOR PLUS	\$ 515.00	\$ 1,030.00
6/8 60 MIN DOOR	INFINITY DOOR PLUS	\$ 644.00	\$ 1,159.00
7/0 60 MIN DOOR	INFINITY DOOR PLUS	\$ 979.00	\$ 1,416.00
8/0 60 MIN DOOR	INFINITY DOOR PLUS	\$ 979.00	\$ 1,416.00

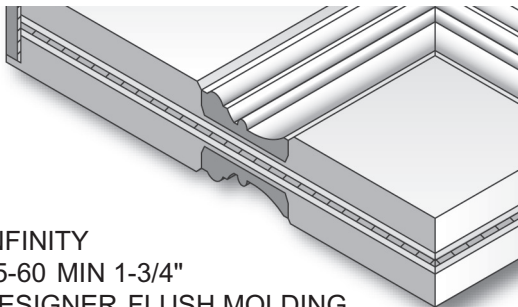
011



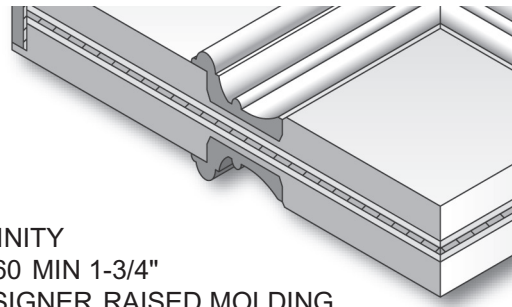
INFINITY  
45-60 MIN 1-3/4" WITH 1-3/8"  
STANDARD FLUSH MOLDING



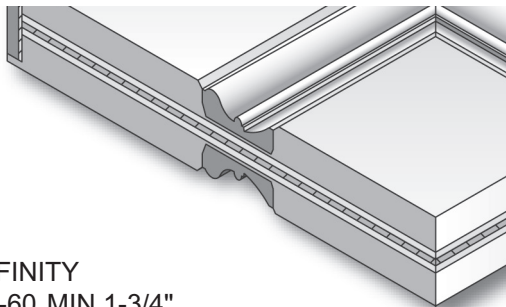
INFINITY  
45-60 MIN 1-3/4" WITH 1-3/8"  
STANDARD RAISED MOLDING



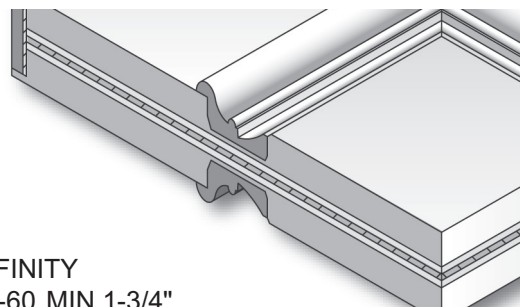
INFINITY  
45-60 MIN 1-3/4"  
DESIGNER FLUSH MOLDING



INFINITY  
45-60 MIN 1-3/4"  
DESIGNER RAISED MOLDING



INFINITY  
45-60 MIN 1-3/4"  
ARCHITECTURAL FLUSH MOLDING



INFINITY  
45-60 MIN 1-3/4"  
ARCHITECTURAL RAISED MOLDING

*.875 thick core in double doors*



**Fire-Rated Infinity Door****45-60 Minute (Positive Pressure) - Category A  
INTUMESCENT LAYERED CORE - Machining Specifications  
As of May 2006**

Hardware Preparation:	All hardware to be prepared for must be labeled and listed
Hinges:	Per NFPA 80, table 2-8.1.1, continuous hinges, mortised heavy duty ball bearing .180 reqd
Latch Sets:	Positive latching is required on all fire doors. Roller latches are not allowed
Cylindrical:	Maximum 2-1/8" dia. Hole with maximum backset of 5" minimum backset of 2-3/8"
Mortise:	Maximum 1-1/16" x 5" x 6-1/2" (W x D x H) Minimum 1/2" throw on single swing minimum 3/4" on pairs
Fire Exit Devices:	Surface mounted vertical top and bottom rods
Closing Devices:	Floor closers, surface mounted closers must be mounted with through bolts or screws Spring hinges (2 per leaf)
Overhead Stops:	N/A
Concealed Closer Arms:	Allowed - max pocket 17-5/16" x 1-1/4" x 1-3/8'
Louvers:	N/A
Dust Boxes for Strike:	Allowed - must be steel
Dead Bolts:	Mortise minimum 5" from latch cutout, cylindrical minimum 5" from CL to CL
Interconnected Dead Bolts:	Allowed
Flush Bolts:	Mortised automatic, mortised semi-automatic, surface mounted
Viewers:	Maximum 1" dia.
Metal Edges & Astragals:	N/A
Edge Guards:	N/A
Protection Plates:	Allowed up to 12" from bottom of door
Automatic Door Bottoms:	Allowed - max 1" x 1-3/4" cut out
Von Duprin EPT Device:	N/A
Raceways:	Allowed - max 3/8" x 3/16" cut out
Plant-Ons:	One or both faces, maximum width = 2-3/8" maximum thickness 3/4" Not closer than 3-1/2" from edge or hardware cutout, less than 30% of door
Vision Panels:	Allowed - max 1216 sq. in. with approved steel vision kit - min 5" rail, min 3/16" glazing
Dutch Doors:	N/A
Door & Transom:	N/A
Installation Instructions:	Installation instructions must be supplied with all orders which are machined The instruction sheet must be securely attached to each pallet
Labeling:	Warnock Hersey "ONLY" may be used. The labels must be applied 60" from the bottom of the door on the hinge side, the only exception is when a "continuous hinge" is used then the label shall be applied to the top rail
Secondary Labels:	These are to be overlapped with the main label to indicate the following: Fire exit hardware, surface mounted hardware, fire retardant edges, listed side panel, "S" label for positive pressure
Temperature Rise:	@ 30 minute 450° F. maximum where lights do not exceed 100 sq. in.
Trim & Undercut	N/A - must be pre-fit to net size at factory