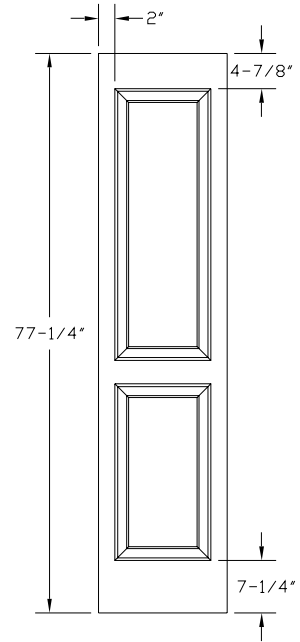
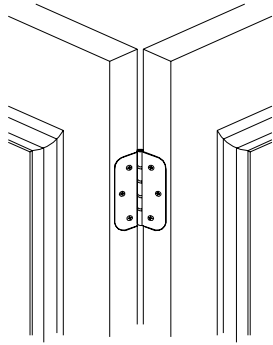


HARDWARE
STANLEY 2700 SERIES

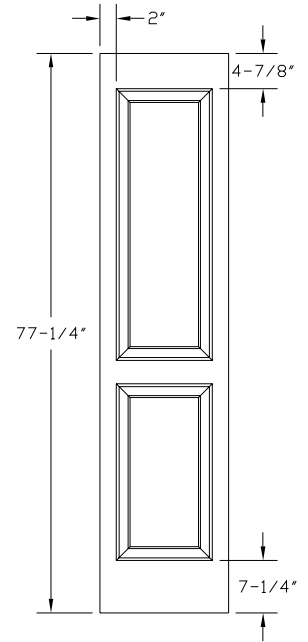


BIFOLD DOOR SPECIFICATIONS

- Finish:** Primed
- Stiles:** 2"
- Top Rail:** 4-7/8"
- Bottom Rail:** 7-1/4"
- Door Thickness:** 1-3/8" or 1-3/4"
- Door Width:** 1/4" per leaf under size
- Door Height:** 2-3/4" under size
- Finished opening 2 door bifold unit width - 2/0 - 3/0
- Finished opening 4 door bifold unit width - 4/0 - 6/0
- For larger finished opening - call for quote**



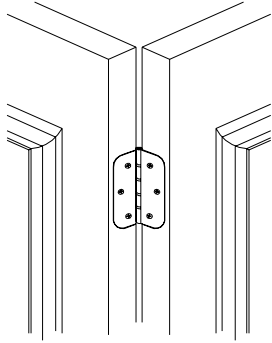
HARDWARE
STANLEY 2700 SERIES



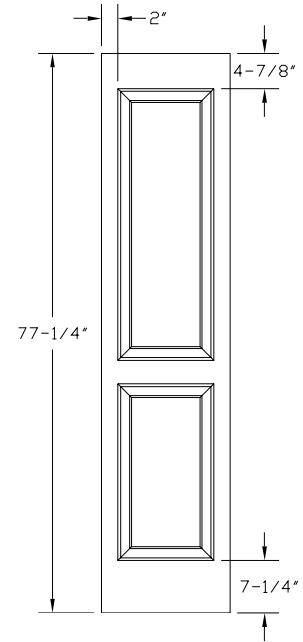
BIFOLD DOOR SPECIFICATIONS

- Finish:** Primed
- Stiles:** 2"
- Top Rail:** 4-7/8"
- Bottom Rail:** 7-1/4"
- Door Thickness:** 1-3/8" or 1-3/4"
- Door Width:** 1/4" per leaf under size
- Door Height:** 2-3/4" under size
- Finished opening 2 door bifold unit width - 2/0 - 3/0
- Finished opening 4 door bifold unit width - 4/0 - 6/0
- For larger finished opening - call for quote**

.....

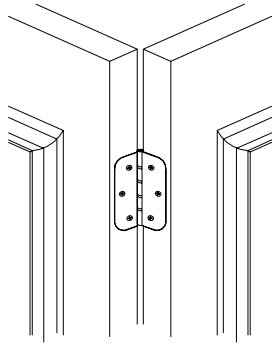


HARDWARE
STANLEY 2700 SERIES

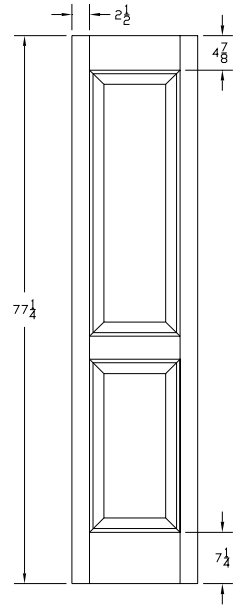


BIFOLD DOOR SPECIFICATIONS

- Finish:** Primed
- Stiles:** 2"
- Top Rail:** 4-7/8"
- Bottom Rail:** 7-1/4"
- Door Thickness:** 1-3/8" or 1-3/4"
- Door Width:** 1/4" per leaf under size
- Door Height:** 2-3/4" under size
- Finished opening 2 door bifold unit width - 2/0 - 3/0
- Finished opening 4 door bifold unit width - 4/0 - 6/0
- For larger finished opening - call for quote**



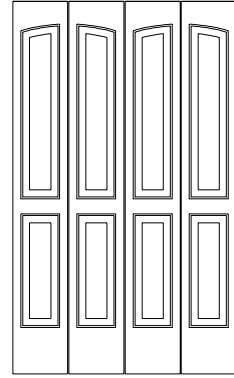
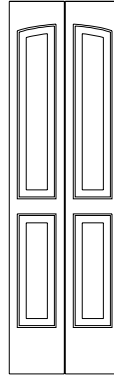
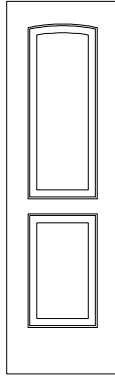
HARDWARE
STANLEY 2700 SERIES



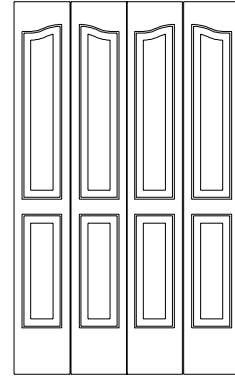
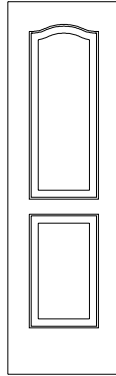
BIFOLD DOOR SPECIFICATIONS

- Finish:** Primed
- Stiles:** 2-1/2"
- Top Rail:** 4-7/8"
- Bottom Rail:** 7-1/4"
- Door Thickness:** 1-3/8" or 1-3/4"
- Door Width:** 1/4" per leaf under size
- Door Height:** 2-3/4" under size
- Finished opening 2 door bifold unit width - 2/0 - 3/0
- Finished opening 4 door bifold unit width - 4/0 - 6/0
- For larger finished opening - call for quote**

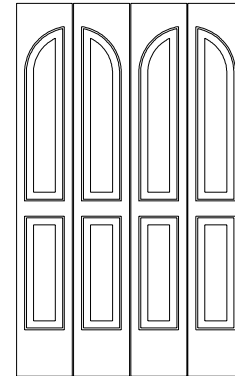
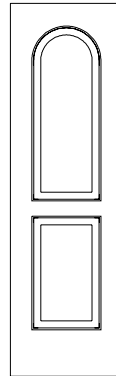
202 SET



302 SET



402 SET



510 SET

